



BRECKWELL®

Exceptional Heat, Outstanding Value

2015-16 Parts Catalog

Prices good July 1, 2015 through June 30, 2016



RETURN POLICY

Breckwell gladly accepts returns of any unused products within 30 days from date of purchase for no hassle refund or exchange. We will not accept returns after 30 days.

If an item becomes defective after 30 days, the product warranty will be enforced. All shipping charges for returned merchandise are the responsibility of the customer. Credits will be placed on the credit card used for the original purchases. Allow two to three billing cycles for the credit to appear on your statement.

Returns with no receipt must reference the original order number.

You will need a return goods authorization number (RGA or call TAG). You can contact us for one, by e-mail or via our toll free customer service line at 1-866-606-8444.

Be sure all the return criteria mentioned above are met. Please write the RGA# on the outside of the package and include a copy of your invoice.

Returns without an RGA# on the outside of the package will be refused and returned to you.

There is a 10% restocking fee on all refunded orders (no exceptions). The restocking fee will be waived in the case of exchanges (for product of equal or greater value).

Breckwell is not responsible for shipping on returns. Shipping charges must be paid by you. Collect shipments will be refused. Shipping charges will only be refunded in two instances: error on our part or damages incurred during shipping. Please insure the product for its full value (if any damage or loss occurs during shipping on returns, we cannot assume liability).

Sales are final on special closeout item orders.

There is no minimum order.

However, a **\$19.40 shipping and handling charge** will be added to all orders.

RETURN ADDRESS:



BRECKWELL®

Exceptional Heat, Outstanding Value

227 Industrial Park Road
South Pittsburg, TN 37380

SP22 Maverick Pellet Stove	4
SP23 Sonora Pellet Stove	5
SP24 Blazer Pellet Stove	6
SP1000 Big E Pellet Stove	7
SP1002 Big E II Pellet Stove	8-9
SP2000 Tahoe Pellet Stove	10
SP2700 Mojave Pellet Stove	11
SP4000 Classic Cast Pellet Stove	12
SPC50 Pellet Stove	13
SP6000 Heartland Multi-Fuel Stove	14-15
SP8500 Multi-Fuel Furnace	16-17
SF747 Wood Furnace	18-19
SPG9000 Monticello Pellet Stove	20
SW2100 Wood Stove	21
SW3100 Wood Stove	22
SW4100 Wood Stove	23
SW180 Wood Stove	24-25
SW740 Wood Stove	26-27
SW940 Wood Stove	28-29
SWC21 Wood Stove	30
SWC31 Wood Stove	31



Parts No.	Description	Qty.	Price
C-E-201	Air Switch (use part # 80621)	1	82.69
C-M-340-T	(891121) Air Switch Tube (Per Foot)	1	20.68/ft.
C-S-1060	Ash Cleanout Door	1	14.77
A-S-3018	Auger Biscuit, Octagon – Includes A-BUSHTOP & C-F-088	1	97.50
A-BUSHTOP	Auger Bushing – Top & Bottom, Brass (No Threads)	2	8.87
C-S-1078	Auger Cover Plate	1	29.53
C-E-017	Auger Motor (use part #80642)	1	212.62
A-AUGPIN	(83529) Auger Pin	1	7.12
A-AUG-22	Auger Shaft	1	130.15
C-S-3030	Auger Stop Bracket	1	14.77
A-S-BURNPOT	Burnpot Assembly – Includes A-S-INSERT	1	177.23
A-S-INSERT	Burnpot Insert – Stainless Steel	1	112.25
A-TOOL	Cleaning Tool	1	46.24
A-E-027	Combustion Blower	1	277.69
A-E-033A	Convection Blower, with Gasket	1	311.26

Parts No.	Description	Qty.	Price
C-E-046-N	Fuse – 125V 5 AMP	1	5.89
C-G-105	Gasket, Combustion Blower – Housing to Motor	1	7.39
C-G-101	Gasket, Combustion Blower – Housing to Stove	1	20.68
C-G-100	Gasket, Convection Blower	1	23.64
C-G-050	Gasket, Door – 5/8" Firm Black	6	5.32/ft.
C-G-033	Gasket, Glass – 3/16" x 3/8" (use part # 88174)	5	5.02/ft.
C-F-370	Grommet, Rubber – Damper	1	11.82
C-E-IGN	Igniter Element (use part # 80607)	1	142.83
C-E-060	Power Cord	1	44.32
C-E-071	Receptacle for Power Cord	1	20.68
C-F-088	Retaining Ring – 5/8" – For A-BUSHTOP	2	2.97
C-E-090-21	Thermodisc, High Limit	1	20.68
C-E-090-22C	Thermodisc, Proof of Fire/Low Limit (use part # 80610)	1	22.74
C-E-UH1000	Wiring Harness, Universal for Digital Control Panel	1	129.97

Parts No.	Description	Qty.	Price
C-S-4170	Baffle, Top Plate	2	29.53
SA22BK	Brick Panels – P22, P4000 (A-M-BRICK22)	1	208.15
SALOG	Ceramic Log (A-M-LOG)	1	222.89
C-S-4084	Cam Latch – P22, P1000PB, P4000	1	5.89
C-S-999	Combustion Blower Transition – Aluminum	1	29.53
A-E-101	Control Panel, Digital	1	407.65
C-L-101	Control Panel Faceplate for A-E-101	1	14.77
A-DOORP22-BN	Door - P22, P1000PW - Brushed Nickel	1	762.14
A-DOORP22-P	Door – P22, P1000PW – Painted	1	443.11
A-DOORP22-G	Door - P22, P1000PW -Gold	1	762.14
C-D-050N	Door Handle, Spring – Chrome	1	26.58
C-D-050	(812002) Door Handle, Spring – Gold	1	25.40
A-H-KIT22	Handle Replacement Kit - P22	1	65.00

Parts No.	Description	Qty.	Price
C-R-070-9	Heat Exchange Tube Cleaning Rod - P22	1	14.77
A-HINGEBASIC	Hinge, Door - P22, P1000PB, P1000PW	1	20.68
A-P22-EXT	Hopper Extension - P22	1	259.95
SA22LK	Leg Kit - Painted - P22 (A-CL-22)	1	276.94
A-PANEL-22	Panel, Complete Set - P22F	1	144.75
C-S-4050	Panel, Left Side - P22	1	74.69
C-S-277	Panel, Rear - P22 (use C-S-4050)	1	74.69
C-S-4045	Panel, Right Side - P22	1	54.06
A-P22-TRIMBN-LG	Trim Kit, Brushed Nickel - P22I Large Flashing	1	177.23
A-P22-TRIMBN-M	Trim Kit, Brushed Nickel - P22I Medium Flashing	1	147.70
A-P22-TRIM-LG	Trim Kit, Gold - P22I Large Flashing	1	177.23
A-P22-TRIM-M	Trim Kit, Gold - P22I Medium Flashing	1	177.23



Parts No.	Description	Qty.	Price
C-E-201	Air Switch (use part # 80621)	1	82.69
C-M-340-T	(891121) Air Switch Tube (Per Foot)	1	20.68/ft.
C-S-1060	Ash Cleanout Door	1	14.77
A-S-3018	Auger Biscuit, Octagon – Includes A-BUSHTOP & C-F-088	1	97.50
A-BUSHTOP	Auger Bushing – Top & Bottom, Brass (No Threads)	2	8.87
C-S-1078	Auger Cover Plate	1	29.53
C-E-017	Auger Motor (use part #80642)	1	212.62
A-AUGPIN	(83529) Auger Pin	1	7.12
A-AUG-22	Auger Shaft	1	130.15
C-S-3030	Auger Stop Bracket	1	14.77
A-S-BURNPOT	Burnpot Assembly – Includes A-S-INSERT	1	177.23
A-S-INSERT	Burnpot Insert – Stainless Steel	1	112.25
A-TOOL	Cleaning Tool	1	46.24
A-E-027	Combustion Blower	1	277.69
A-E-033A	Convection Blower, with Gasket	1	311.26

Parts No.	Description	Qty.	Price
C-E-046-N	Fuse – 125V 5 AMP	1	5.89
C-G-105	Gasket, Combustion Blower – Housing to Motor	1	7.39
C-G-101	Gasket, Combustion Blower – Housing to Stove	1	20.68
C-G-100	Gasket, Convection Blower	1	23.64
C-G-050	Gasket, Door – 5/8" Firm Black	6	5.32/ft.
C-G-033	Gasket, Glass – 3/16" x 3/8" (use part # 88174)	5	5.02/ft.
C-F-370	Grommet, Rubber – Damper	1	11.82
C-E-IGN	Igniter Element (use part # 80607)	1	142.83
C-E-060	Power Cord	1	44.32
C-E-071	Receptacle for Power Cord	1	20.68
C-F-088	Retaining Ring – 5/8" – For A-BUSHTOP	2	2.97
C-E-090-21	Thermodisc, High Limit	1	20.68
C-E-090-22C	Thermodisc, Proof of Fire/Low Limit (use part # 80610)	1	22.74
C-E-UH1000	Wiring Harness, Universal for Digital Control Panel	1	129.97

Parts No.	Description	Qty.	Price
A-CL-ASH	Ash Pan – P23F on Legs	1	162.47
A-ASHPANP23PED	Ash Pan – P23F on Pedestal	1	98.80
SA23BK	Brick Panels – P23 (A-M-BRICK23)	1	160.52
SALOG	Ceramic Log (A-M-LOG)	1	222.89
C-S-4080	Cam Latch – P23, P1000PWA, P24	1	5.89
C-S-999	Combustion Blower Transition – Aluminum	1	29.53
A-E-401	Control Panel, Digital	1	407.65
C-L-401	Control Panel Faceplate for A-E-401	1	14.77
A-D-018-BN	Door - P23, Brushed Nickel	1	1,072.29
A-D-018-G	Door - P23, Gold	1	974.81
A-D-018-C	Door - P23, P1000PWA, Painted	1	307.19
A-D-018-PT	Door - P23, Painted w/Trim	1	472.64
C-D-050N	Door Handle, Spring – Chrome	1	26.58
C-D-050	(892002) Door Handle, Spring – Gold	1	25.40
C-F-090	Door Hinge Pin	2	20.68

Parts No.	Description	Qty.	Price
C-D-038	(891979) Glass, Half Oval – P23, P1000PWA	1	277.40
C-M-066	(891148) Handle – Pocket Pull For Hopper Lid	1	19.93
A-H-KIT23	Handle Replacement Kit - P23, P24, P1000PWA/PWC	1	65.42
C-R-070-14	Heat Exchange Tube Cleaning Rod - P23F	1	14.77
C-F-8154	Hinge - Female Left	2	7.39
C-F-8160	Hinge - Female Right	2	7.39
C-F-8150	Hinge - Male Left	2	7.39
C-F-8162	Hinge - Male Right	2	7.39
C-F-291	Hinge Block	2	17.71
A-CLG-NEW	Leg Kit with Ashpan- Gold - P23F	1	841.89
C-S-288-L	Panel, Left Side - P23F	1	88.93
C-S-278	Panel, Rear - P23F	1	62.03
C-S-288-R	Panel, Right Side - P23F	1	88.93
A-P23-PNEW	Pedestal with Ashpan - P23	1	437.18
C-S-031-OPCN	Trim, P23 Door - Polished Nickel	1	NLA



Parts No.	Description	Qty.	Price
C-E-201	Air Switch (use part # 80621)	1	82.69
C-M-340-T	(891121) Air Switch Tube (Per Foot)	1	20.68/ft.
C-S-1060	Ash Cleanout Door	1	14.77
A-S-3018	Auger Biscuit, Octagon – Includes A-BUSHTOP & C-F-088	1	97.50
A-BUSHTOP	Auger Bushing – Top & Bottom, Brass (No Threads)	2	8.87
C-S-1078	Auger Cover Plate	1	29.53
C-E-017	Auger Motor (use part #80642)	1	212.62
A-AUGPIN	(83529) Auger Pin	1	7.12
A-AUG-22	Auger Shaft	1	130.15
C-S-3030	Auger Stop Bracket	1	14.77
A-S-BURNPOT	Burnpot Assembly – Includes A-S-INSERT	1	177.23
A-S-INSERT	Burnpot Insert – Stainless Steel	1	112.25
A-TOOL	Cleaning Tool	1	46.24
A-E-027	Combustion Blower	1	277.69
A-E-033A	Convection Blower, with Gasket	1	311.26

Parts No.	Description	Qty.	Price
C-E-046-N	Fuse – 125V 5 AMP	1	5.89
C-G-105	Gasket, Combustion Blower – Housing to Motor	1	7.39
C-G-101	Gasket, Combustion Blower – Housing to Stove	1	20.68
C-G-100	Gasket, Convection Blower	1	23.64
C-G-050	Gasket, Door – 5/8" Firm Black	6	5.32/ft.
C-G-033	Gasket, Glass – 3/16" x 3/8" (use part # 88174)	5	5.02/ft.
C-F-370	Grommet, Rubber – Damper	1	11.82
C-E-IGN	Igniter Element (use part # 80607)	1	142.83
C-E-060	Power Cord	1	44.32
C-E-071	Receptacle for Power Cord	1	20.68
C-F-088	Retaining Ring – 5/8" – For A-BUSHTOP	2	2.97
C-E-090-21	Thermodisc, High Limit	1	20.68
C-E-090-22C	Thermodisc, Proof of Fire/Low Limit (use part # 80610)	1	22.74
C-E-UH1000	Wiring Harness, Universal for Digital Control Panel	1	129.97

Parts No.	Description	Qty.	Price
A-ASHPANP24FS	Ash Pan – P24F	1	209.75
SA24BK	Brick Panels – P24F (A-M-BRICK24)	1	160.52
SA24iBK	Brick Panels – P24I (A-M-BRICK24i)	1	160.52
SALOG	Ceramic Log (A-M-LOG)	1	222.89
C-S-4080	Cam Latch – P23, P1000PWA, P24	1	5.89
A-E-401	Control Panel, Digital	1	407.65
C-L-401	Control Panel Faceplate for A-E-401	1	14.77
A-D-010-BN	Door - P24, Brushed Nickel	1	1,272.34
A-D-010-G	Door - P24, Gold	1	590.80
A-D-010-PT	Door - P24, Painted w/Trim	1	472.64
C-D-050N	Door Handle, Spring – Chrome	1	26.58

Parts No.	Description	Qty.	Price
C-D-050	(892002) Door Handle, Spring – Gold	1	25.40
C-F-090	Door Hinge Pin	2	20.68
C-D-030	Glass, Oval	1	290.74
C-D-032	Glass, Side	1	155.25
A-H-KIT23	Handle Replacement Kit - P23, P24, P1000PWA/PWC	1	65.00
C-F-291	Hinge Block	2	17.71
C-S-5040	Hopper Lid - P24F	1	40.17
C-S-323	Hopper Lid - P24I	1	129.97
A-S-103-BN	Window Trim, Side - P24I - Brushed Nickel	1	135.88
A-S-103-G	Window Trim, Side - P24I - Gold	1	135.88
A-S-103	Window Trim, Side - P24I - Painted	1	128.77
C-R-070-29	Heat Exchange Tube Cleaning Rod	1	25.06

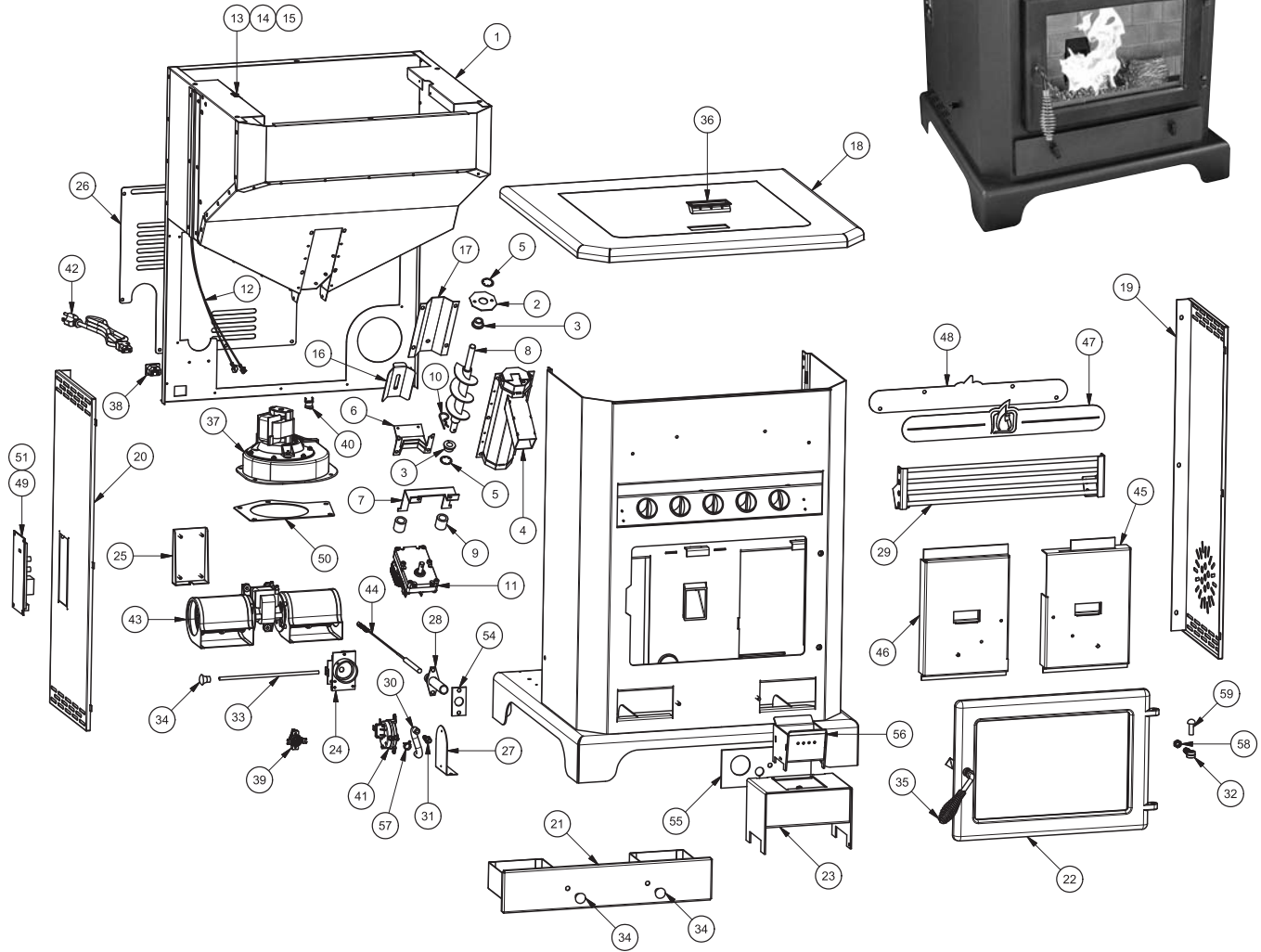


Parts No.	Description	Qty.	Price
C-E-201	Air Switch (use part # 80621)	1	82.69
C-M-340-T	(891121) Air Switch Tube (Per Foot)	1	20.68/ft.
C-S-1060	Ash Cleanout Door	1	14.77
A-S-3018	Auger Biscuit, Octagon – Includes A-BUSHTOP & C-F-088	1	97.50
A-BUSHTOP	Auger Bushing – Top & Bottom, Brass (No Threads)	2	8.87
C-S-1078	Auger Cover Plate	1	29.53
C-E-017	Auger Motor (use part #80642)	1	212.62
A-AUGPIN	(83529) Auger Pin	1	7.12
A-AUG-22	Auger Shaft	1	130.15
C-S-3030	Auger Stop Bracket	1	14.77
A-S-BURNPOT	Burnpot Assembly – Includes A-S-INSERT	1	177.23
A-S-INSERT	Burnpot Insert – Stainless Steel	1	112.25
A-TOOL	Cleaning Tool	1	46.24
A-E-027	Combustion Blower	1	277.69
A-E-033A	Convection Blower, with Gasket	1	311.26

Parts No.	Description	Qty.	Price
C-E-046-N	Fuse – 125V 5 AMP	1	5.89
C-G-105	Gasket, Combustion Blower – Housing to Motor	1	7.39
C-G-101	Gasket, Combustion Blower – Housing to Stove	1	20.68
C-G-100	Gasket, Convection Blower	1	23.64
C-G-050	Gasket, Door – 5/8" Firm Black	6	5.32/ft.
C-G-033	Gasket, Glass – 3/16" x 3/8" (use part # 88174)	5	5.02/ft.
C-F-370	Grommet, Rubber – Damper	1	11.82
C-E-IGN	Igniter Element (use part # 80607)	1	142.83
C-E-060	Power Cord	1	44.32
C-E-071	Receptacle for Power Cord	1	20.68
C-F-088	Retaining Ring – 5/8" – For A-BUSHTOP	2	2.97
C-E-090-21	Thermodisc, High Limit	1	20.68
C-E-090-22C	Thermodisc, Proof of Fire/Low Limit (use part # 80610)	1	22.74
C-E-UH1000	Wiring Harness, Universal for Digital Control Panel	1	129.97

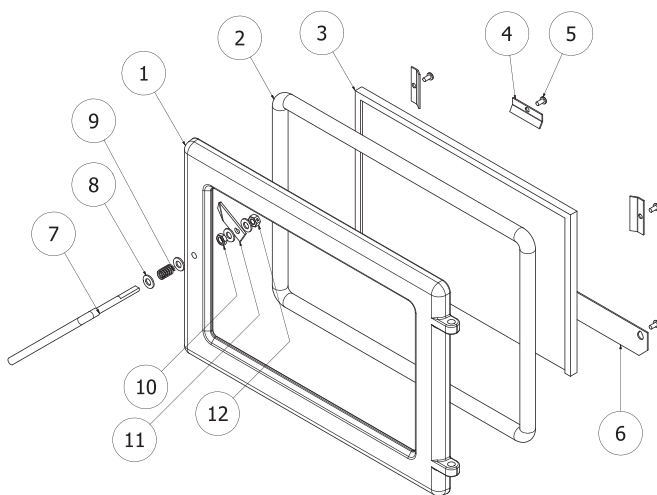
Parts No.	Description	Qty.	Price
A-ASHPANBIGE	Ash Pan – Big E	1	162.47
C-S-4084	Cam Latch – P22, P1000PB, P4000	1	5.89
C-S-4080	Cam Latch – P23, P1000PWA, P24	1	5.89
C-S-999	Combustion Blower Transition – Aluminum	1	29.53
A-E-401	Control Panel, Digital	1	407.65
C-L-401	Control Panel Faceplate for A-E-401	1	14.77
A-DOORMULTIUSE	Door - P1000, PCA/PCNA Version, P4000 (PCA/PCNA)	1	449.00
A-DOORP22-BN	Door - P22, P1000PW - Brushed Nickel (PW)	1	762.14
A-DOORP22-P	Door – P22, P1000PW – Painted (PW)	1	443.11
A-D-018-C	Door - P23, P1000PWA, Painted (PWA)	1	307.19
C-F-090	Door Hinge Pin	2	20.68
C-M-013	(181987) Ash Pan Knob - 2	1	9.76 ea.
C-G-050	Ash Pan Gasket 4 ft.	1	5.32/ft.

Parts No.	Description	Qty.	Price
C-D-038	(891979) Glass, Half Oval – P23, P1000PWA	1	277.40
C-D-11000	Glass, P1000PB	1	32.48
C-M-066	(891148) Handle – Pocket Pull For Hopper Lid	1	19.93
A-H-KIT23	Handle Replacement Kit - P23, P24, P1000PWA/PWC	1	65.00
A-H-KITCAST	Handle Replacement Kit – P1000PCA/PCNA, P4000	1	65.00
C-F-291	Hinge Block (PWA/PCA & PCNA)	2	17.71
A-HINGEBASIC	Hinge, Door - P22, P1000PB, P1000PW (PB/PW)	1	20.68
—	Hopper Extension - P1000	1	NLA
C-S-11115	Hopper Lid - P1000 - Original Style	1	62.32
C-E-901	Hopper Switch - Big E	1	20.68
C-S-11095	Panel, Left Side - P1000	1	112.25
C-S-11105	Panel, Rear - P1000	1	89.97
C-S-11100	Panel, Right Side - P1000	1	132.93



Key	Parts No.	Description	Qty.	Price
1	892046	HOPPER ASSEMBLY	1	N/A
2	891189	PLATE, TOP BUSHING	1	5.59
3	891132	AGITATOR BUSHING	2	11.70
4	891164	WELDMENT, AUGER HOUSING	1	144.96
5	83534	RETAINING RING	2	9.39
6	891161	WELD., BOT. PLATE RETAINER	1	44.36
7	25495	BRKT, DRIVE MOTOR	1	18.00
8	891141	AUGER	1	149.39
9	891169	HOSE, HEATER	2	6.84
10	83529	HAIRPIN	1	7.12
11	80488	DRIVE MOTOR (1.5 RPM CCW)	1	185.05
12	80493	EXTENSION, WIRING HARNESS	1	29.85
13	80491	MICROSWITCH	1	19.04
14	83542	NYLON LOCK NUT	2	2.62
15	83541	#4-40 MACHINE SCREW	2	2.62
16	25863	REGULATOR, MANUAL FEED RATE	1	23.11
17	25864	AUGER COVER, MANUAL FEED RATE	1	17.82
18	892044	WLDMT, TOP LID	1	626.73
19	25488	SIDE, RIGHT CABINET (891193)	1	65.45
20	891980	SIDE, LEFT CABINET	1	199.50
21	69671	ASH PAN ASSEMBLY	1	57.55
22	69666	DOOR ASSEMBLY	1	847.41
	88057	GASKET, ASH PAN	4 FT.	5.35/FT.
23	69693	WELDMENT, BURNPOT HOUSING	1	178.69
24	69673	DAMPER ASSEMBLY	1	CALL
25	892059	BLOWER MOUNT	1	CALL
26	892053	ACCESS PANEL, BACK	1	124.18
27	25774	MOUNT, PRESSURE SWITCH	1	60.15
28	A-S-IGNITER	IGNITOR TUBE WELDMENT	1	32.48
29	892051	GRILL WELDMENT	1	CALL
30	891121	HOSE, SILICONE (1/4" I.D. 450 DE)	0.4 FT	20.68/ft.

Key	Parts No.	Description	Qty.	Price
31	89586	AUGER NIPPLE	1	8.99
32	40571	HINGE BLOCK (C-F-291)	2	19.46
33	86668	DAMPER ROD	1	4.64
34	891987	PLASTIC KNOB	3	9.76
35	891700	SPRING HANDLE (C-D-050BN)	1	29.22
36	891148	HANDLE, PLASTIC	1	19.93
37	80473	BLOWER, EXHAUST	1	309.45
38	80462	RECEPTACLE, 3 PRONG	1	17.19
39	80609	THERMODISC, SURFACE MOUNT, 210°	1	98.17
40	80610	THERMODISC, SURF MT, LOW LIMIT POF	1	22.74
41	80549	PRESSURE SWITCH	1	140.23
42	80461	POWER SUPPLY CORD	1	49.48
43	80591	BLOWER, DUAL FASCO (7058-1645)	1	176.08
44	80607	IGNITOR CARTRIDGE (C-E-IGN)	1	142.83
45	892124	WELDMENT, RIGHT BAFFLE	1	CALL
46	892123	WELDMENT, LEFT BAFFLE	1	CALL
47	892061	DECORATIVE PLATE, BRECKWELL FLAME	1	CALL
48	892057	PLATE, BACKING - FLAME	1	62.62
49	A-E-401	CIRC BD ALL MOD X P22 NEW STYLE	1	407.65
50	88100	GASKET, EXHAUST BLOWER	1	10.09
51	—	FACE PLATE DIGITAL 401 BD (4 SETTING)	1	—
52	80618	JUMPER WIRE - ROOM BLOWE	1	11.99
53	80608	WIRING HARNESS - MAIN (5520)	1	149.23
54	88118	GASKET, IGNITOR FLANGE	1	5.14
55	88168	GASKET, BURNPOT HOUSING	1	12.79
56	69710	WELDMENT, BURNPOT	1	193.51
57	83564	CLAMP, HOSE-1/2, SELF-COMPEN.	1	2.89
58	83576	JAM NUT, 3/8-24	2	2.89
59	83575	HINGE PIN (.370 DIA X 1.00)	2	2.62



Complete Door Assembly - 69666

Key	Parts No.	Description	Qty.	Price
1	40578	Feed Door	1	242.55
2	88082	3/4" Round Rope Gasket-Black	4.8 ft.	2.60/ft.
3	892038	Door Glass	1	261.77
	88087	1/8 x 1 Window Gasket w/Adhesive	3 ft.	10.53/ft.
4	891977	Clip, Glass	3	8.20
5	83202	10-24 x 3/8 PH PN HD MS	6	2.60
6	891978	Air Wash Plate	1	29.99
7	891160	Door Handle	1	27.17
8	83547	Washer, 11/32"ID x 11/16"OD x 1/16 Thk.	4	2.62
9	83903	Spring	1	2.60
10	83547	Washer, 11/32"ID x 11/16"OD x 1/16 Thk.	4	2.62
11	83546	5/16-18 Jam Nut	1	2.62
12	83338	5/16-18 Lock Nut	1	2.62
N/S	891700	Spring Handle	1	29.22



Parts No.	Description	Qty.	Price
C-E-201	Air Switch (use part # 80621)	1	82.69
C-M-340-T	(891121) Air Switch Tube (Per Foot)	1	20.68/ft.
C-S-1060	Ash Cleanout Door	1	14.77
A-S-3018	Auger Biscuit, Octagon – Includes A-BUSHTOP & C-F-088	1	97.50
A-BUSHTOP	Auger Bushing – Top & Bottom, Brass (No Threads)	2	8.87
C-S-1078	Auger Cover Plate	1	29.53
C-E-017	Auger Motor (use part #80642)	1	212.62
A-AUGPIN	(83529) Auger Pin	1	7.12
A-AUG-22	Auger Shaft	1	130.15
C-S-3030	Auger Stop Bracket	1	14.77
A-S-BURNPOT	Burnpot Assembly – Includes A-S-INSERT	1	177.23
A-S-INSERT	Burnpot Insert – Stainless Steel	1	112.25
A-TOOL	Cleaning Tool	1	46.24
A-E-027	Combustion Blower	1	277.69
A-E-033A	Convection Blower, with Gasket	1	311.26

Parts No.	Description	Qty.	Price
C-E-046-N	Fuse – 125V 5 AMP	1	5.89
C-G-105	Gasket, Combustion Blower – Housing to Motor	1	7.39
C-G-101	Gasket, Combustion Blower – Housing to Stove	1	20.68
C-G-100	Gasket, Convection Blower	1	23.64
C-G-050	Gasket, Door – 5/8" Firm Black	6	5.32/ft.
C-G-033	Gasket, Glass – 3/16" x 3/8" (use part # 88174)	5	5.02/ft.
C-F-370	Grommet, Rubber – Damper	1	11.82
C-E-IGN	Igniter Element (use part # 80607)	1	142.83
C-E-060	Power Cord	1	44.32
C-E-071	Receptacle for Power Cord	1	20.68
C-F-088	Retaining Ring – 5/8" – For A-BUSHTOP	2	2.97
C-E-090-21	Thermodisc, High Limit	1	20.68
C-E-090-22C	Thermodisc, Proof of Fire/Low Limit (use part # 80610)	1	22.74
C-E-UH1000	Wiring Harness, Universal for Digital Control Panel	1	129.97

Parts No.	Description	Qty.	Price
A-P2K-ASHPAN	Ash Pan – P2000F	1	174.56
—	Ash Pan, Drop In – P2000I	1	N/A
C-S-4170	Baffle, Top Plate	1	29.53
SA20BK	Brick Panels – P2000 (A-M-BRICK)	1	160.52
SALOG	Ceramic Log (A-M-2000)	1	222.89
A-S-INSERTP2K	Burnpot Insert – Replacement for A-S-BURNPOT28FS and A-S-BURNPOTP2K	1	112.25
C-S-810	Cam Latch – P2000, P2700	1	20.68
C-S-999	Combustion Blower Transition – Aluminum (FS Only)	1	29.53
A-E-401	Control Panel, Digital	1	407.65
C-L-401	Control Panel Faceplate for A-E-401	1	14.77
C-S-852	Damper Oak, Oak (Each)	1	23.64
C-S-851	Door Handle, Oak	1	50.21
A-D-807-BN	Door - P2000, Brushed Nickel	1	987.97
A-D-807G	Door - P2000, Gold	1	1,033.90
A-D-807PT	Door - P2000, Painted w/Trim	1	1,107.75
A-H-2000-KIT	Door Handle, Complete Replacement Kit	1	65.00

Parts No.	Description	Qty.	Price
C-D-802-A	Glass, Center	1	259.95
C-D-802-B	Glass, Side	1	115.22
C-S-1000	Glass, Connectors (Specify Model When Ordering)	1	44.32
C-M-066	(891148) Handle – Pocket Pull For Hopper Lid	1	19.93
C-S-836	Heat Exchange Tube Cleaning Rod - P2000F	1	NLA
C-R-070-17	Heat Exchange Tube Cleaning Rod - P2000I	1	14.77
C-F-8154	Hinge - Female Left	2	7.39
C-F-8160	Hinge - Female Right	2	7.39
C-F-8150	Hinge - Male Left	2	7.39
C-F-8162	Hinge - Male Right	2	7.39
A-HINGEWELDMENT	Hinge Bracket, Door - P2000, P2700	1	CALL
C-S-834-L	Panel, Left Side - P2000F	1	62.03
C-S-835	Panel, Rear - P2000F	1	59.08
C-S-834-R	Panel, Right Side - P2000F	1	62.03
A-MED-A	Trim Kit, Gold - P2000I Medium Flashing	1	85.67
C-S-862	Trim, P2000 Door	1	47.24



Parts No.	Description	Qty.	Price
C-E-201	Air Switch (use part # 80621)	1	82.69
C-M-340-T	(891121) Air Switch Tube (Per Foot)	1	20.68/ft.
C-S-1060	Ash Cleanout Door	1	14.77
A-S-3018	Auger Biscuit, Octagon – Includes A-BUSHTOP & C-F-088	1	97.50
A-BUSHTOP	Auger Bushing – Top & Bottom, Brass (No Threads)	2	8.87
C-S-1078	Auger Cover Plate	1	29.53
C-E-017	Auger Motor (use part #80642)	1	212.62
A-AUGPIN	(83529) Auger Pin	1	7.12
A-AUG-22	Auger Shaft	1	130.15
C-S-3030	Auger Stop Bracket	1	14.77
A-S-BURNPOT	Burnpot Assembly – Includes A-S-INSERT	1	177.23
A-S-INSERT	Burnpot Insert – Stainless Steel	1	112.25
A-TOOL	Cleaning Tool	1	46.24
A-E-027	Combustion Blower	1	277.69
A-E-033A	Convection Blower, with Gasket	1	311.26

Parts No.	Description	Qty.	Price
C-E-046-N	Fuse – 125V 5 AMP	1	5.89
C-G-105	Gasket, Combustion Blower – Housing to Motor	1	7.39
C-G-101	Gasket, Combustion Blower – Housing to Stove	1	20.68
C-G-100	Gasket, Convection Blower	1	23.64
C-G-050	Gasket, Door – 5/8" Firm Black	6	5.32/ft.
C-G-033	Gasket, Glass – 3/16" x 3/8" (use part # 88174)	5	5.02/ft.
C-F-370	Grommet, Rubber – Damper	1	11.82
C-E-IGN	Igniter Element (use part # 80607)	1	142.83
C-E-060	Power Cord	1	44.32
C-E-071	Receptacle for Power Cord	1	20.68
C-F-088	Retaining Ring – 5/8" – For A-BUSHTOP	2	2.97
C-E-090-21	Thermodisc, High Limit	1	20.68
C-E-090-22C	Thermodisc, Proof of Fire/Low Limit (use part # 80610)	1	22.74
C-E-UH1000	Wiring Harness, Universal for Digital Control Panel	1	129.97

Parts No.	Description	Qty.	Price
A-S-ASHPAN2700	Ash Pan – P2700	1	162.47
SA27BK	Brick Panels – P2700 (A-M-BRICK27)	1	207.78
SALOG	Ceramic Log (A-M-LOG)	1	222.89
A-S-INSERTP2K	Burnpot Insert – Replacement for A-S-BURNPOT28FS and A-S-BURNPOT2K	1	112.25
C-S-810	Cam Latch – P2000, P2700	1	20.68
C-S-999	Combustion Blower Transition – Aluminum	1	29.53
A-E-401	Control Panel, Digital	1	407.65
C-L-401	Control Panel Faceplate for A-E-401	1	14.77
C-S-852	Damper Oak, Oak (Each)	1	23.64
C-S-851	Door Handle, Oak	1	50.21
A-D-1025BN	Door - P2700, Brushed Nickel	1	472.64
A-D-1025G	Door - P2700, Gold - Complete	1	472.64
A-D-1025P	Door - P2700, Painted - Complete	1	472.63

Parts No.	Description	Qty.	Price
A-H-2000-KIT	Door Handle, Complete Replacement Kit	1	65.00
C-D-2700-A	Glass, Center	1	259.95
C-D-802-B	Glass, Side	1	115.22
C-S-1000	Glass, Connectors (Specify Model When Ordering)	1	44.32
C-M-066	(891148) Handle – Pocket Pull For Hopper Lid	1	19.93
C-R-070-16	Heat Exchange Tube Cleaning Rod - P2700	1	20.68
C-F-8154	Hinge - Female Left	2	7.39
C-F-8160	Hinge - Female Right	2	7.39
C-F-8150	Hinge - Male Left	2	7.39
C-F-8162	Hinge - Male Right	2	7.39
A-HINGEWELDMENT	Hinge Bracket, Door - P2000, P2700	1	CALL
C-S-1023-L	Panel, Left Side - P2700	1	91.86
C-S-1022	Panel, Rear - P2700	1	72.55
C-S-1023-R	Panel, Right Side - P2700	1	71.50



Parts No.	Description	Qty.	Price
C-E-201	Air Switch (use part # 80621)	1	82.69
C-M-340-T	(891121) Air Switch Tube (Per Foot)	1	20.68/ft.
C-S-1060	Ash Cleanout Door	1	14.77
A-S-3018	Auger Biscuit, Octagon – Includes A-BUSHTOP & C-F-088	1	97.50
A-BUSHTOP	Auger Bushing – Top & Bottom, Brass (No Threads)	2	8.87
C-S-1078	Auger Cover Plate	1	29.53
C-E-017	Auger Motor (use part #80642)	1	212.62
A-AUGPIN	(83529) Auger Pin	1	7.12
A-AUG-22	Auger Shaft	1	130.15
C-S-3030	Auger Stop Bracket	1	14.77
A-S-BURNPOT	Burnpot Assembly – Includes A-S-INSERT	1	177.23
A-S-INSERT	Burnpot Insert – Stainless Steel	1	112.25
A-TOOL	Cleaning Tool	1	46.24
A-E-027	Combustion Blower	1	277.69
A-E-033A	Convection Blower, with Gasket	1	311.26

Parts No.	Description	Qty.	Price
C-E-046-N	Fuse – 125V 5 AMP	1	5.89
C-G-105	Gasket, Combustion Blower – Housing to Motor	1	7.39
C-G-101	Gasket, Combustion Blower – Housing to Stove	1	20.68
C-G-100	Gasket, Convection Blower	1	23.64
C-G-050	Gasket, Door – 5/8" Firm Black	6	5.32/ft.
C-G-033	Gasket, Glass – 3/16" x 3/8" (use part # 88174)	5	5.02/ft.
C-F-370	Grommet, Rubber – Damper	1	11.82
C-E-IGN	Igniter Element (use part # 80607)	1	142.83
C-E-060	Power Cord	1	44.32
C-E-071	Receptacle for Power Cord	1	20.68
C-F-088	Retaining Ring – 5/8" – For A-BUSHTOP	2	2.97
C-E-090-21	Thermodisc, High Limit	1	20.68
C-E-090-22C	Thermodisc, Proof of Fire/Low Limit (use part # 80610)	1	22.74
C-E-UH1000	Wiring Harness, Universal for Digital Control Panel	1	129.97

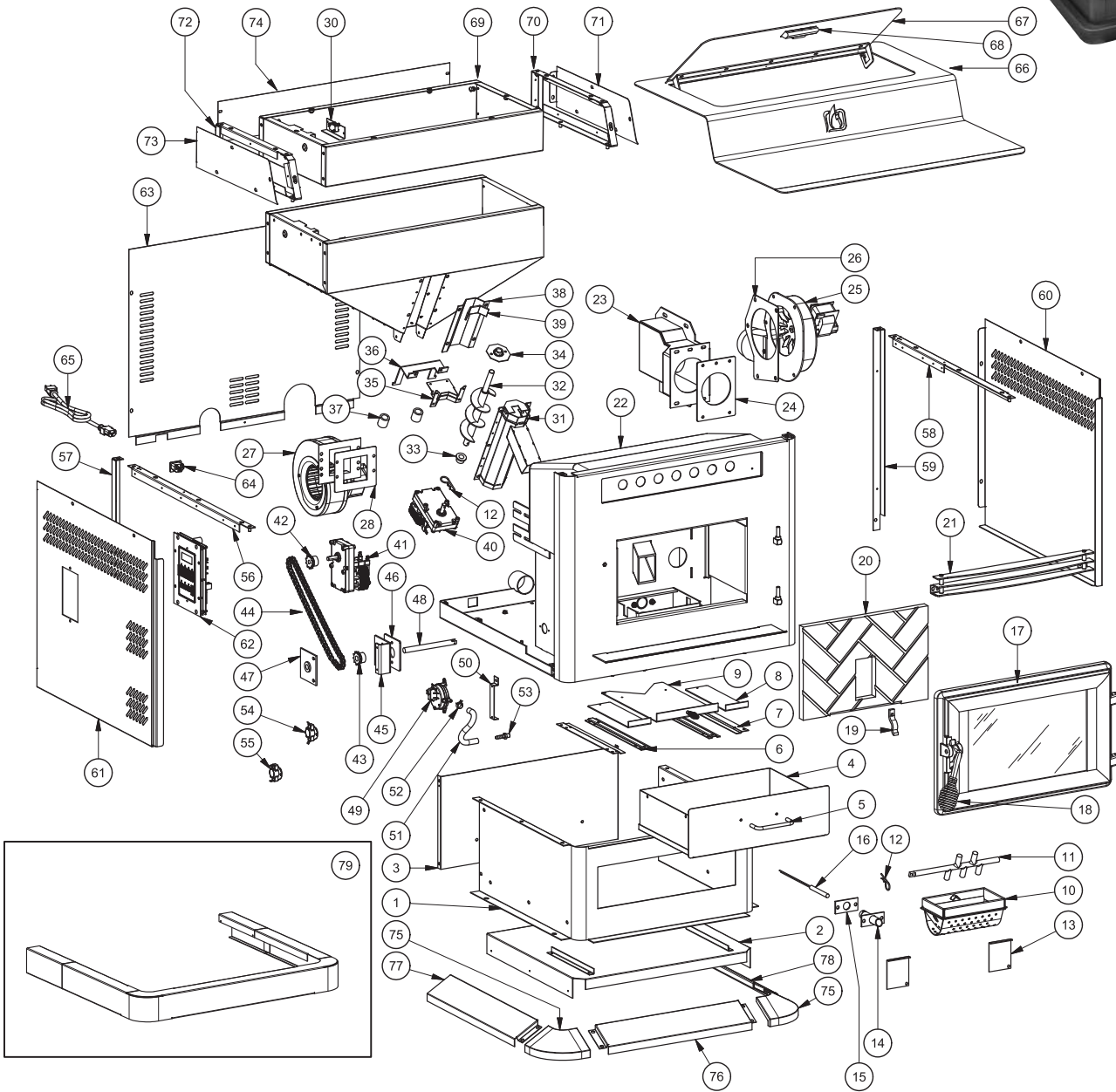
Parts No.	Description	Qty.	Price
A-ASHPANCAST	Ash Pan – P4000	1	94.53
C-S-4170	Baffle, Top Plate	2	29.53
SA22BK	Brick Panels – P22, P4000 (A-M-BRICK22)	1	208.15
SALOG	Ceramic Log (A-M-LOG)	1	222.89
C-S-4084	Cam Latch – P22, P1000PB, P4000	1	5.89
C-S-999	Combustion Blower Transition – Aluminum	1	29.53
A-E-101	Control Panel, Digital	1	407.65

Parts No.	Description	Qty.	Price
C-L-101	Control Panel Faceplate for A-E-101	1	14.77
A-DOORMULTIUSE	Door - P1000, PCA/PCNA Version, P4000	1	449.00
C-F-090	Door Hinge Pin	2	20.68
A-H-KITCAST	Handle Replacement Kit – P1000PCA/PCNA, P4000	1	65.00
C-S-12100	Panel, Front, Cast - P4000	1	282.31
C-S-12035	Panel, Rear - P4000	1	310.21
C-S-12105	Panel, Side, Cast End - P4000 (Left or Right)	1	380.78



Parts No.	Description	Qty.	Price
40599	Legs (Specify Color)	4	CALL
892301	Front Door Assembly (Specify Color)	1	CALL
40600	Front Door (Specify Color)	1	CALL
892302	Glass	1	232.84
88087	Glass Gasket	—	10.53/ft.
88066	Door Gasket	—	5.35/ft.
892303	Glass Retainers	7	CALL
892304	Hinge Pins	2	CALL
892308	Handle Assembly	1	CALL
892305	Cam	1	CALL
892306	Plastic Knob	1	CALL
892307	Brass Handle Body W/ Stud	1	CALL
892309	Side Door Assembly (Specify Color)	1	CALL
40601	Side Door (Specify Color)	1	CALL
892310	Handle	1	CALL
892311	Hinge Pins	2	CALL
88033	Rope Gasket		2.62/ft.
892312	Handle Catch	1	CALL
892319	Auger Assembly	1	CALL
892321	Auger Body	1	CALL

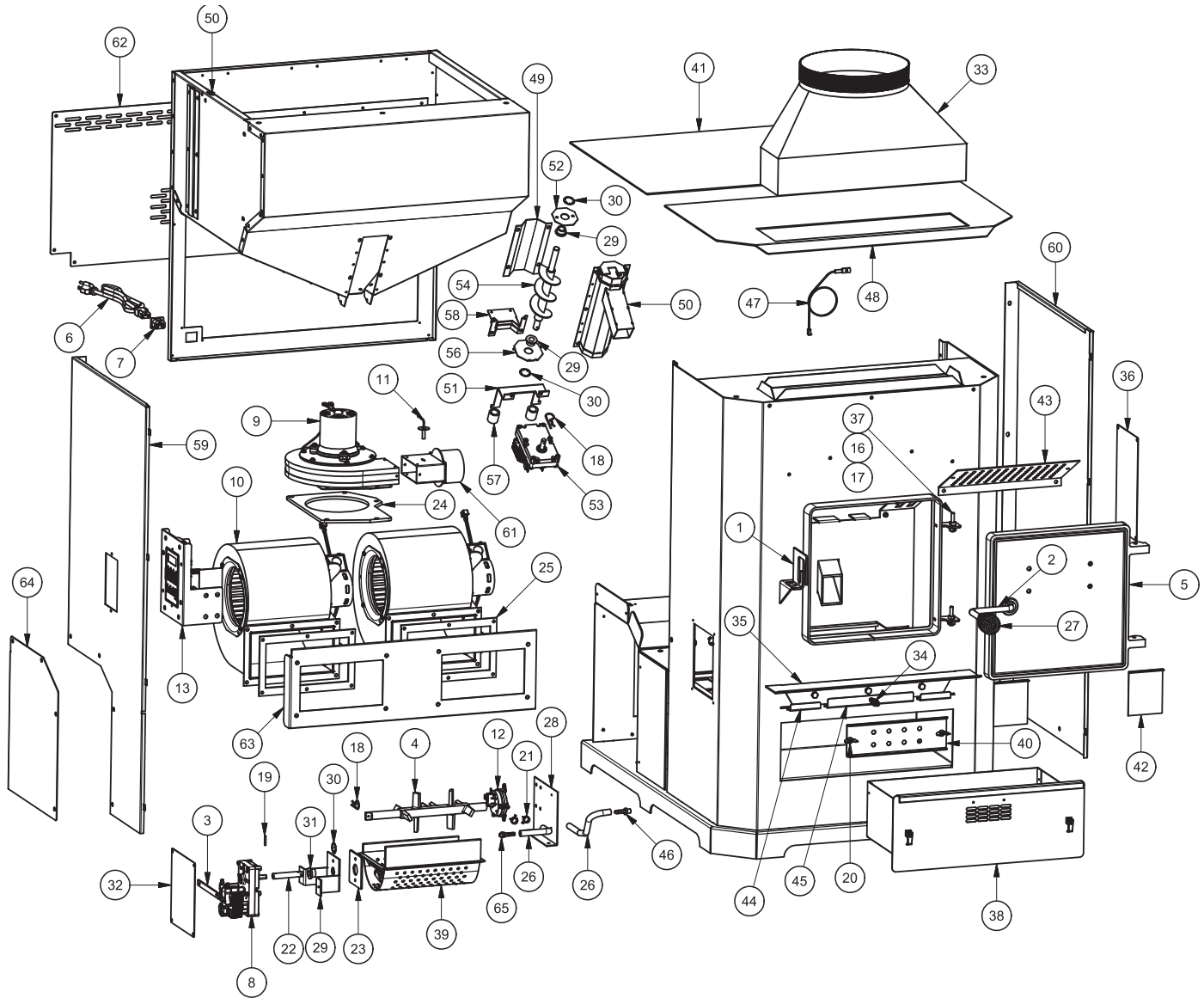
Parts No.	Description	Qty.	Price
892322	Auger	1	CALL
892320	Auger Bushing/Bearing Assembly	1	CALL
40602	Baffles	2	CALL
892314	Primary/Secondary Air Tube Assembly	1	CALL
892315	Tube Weldment	1	CALL
892316	Primary Air Bushing	1	CALL
892317	Primary Air Nozzle	1	CALL
892318	Air Shutter Assembly	1	CALL
892313	Touchup Paint (Specify Color)	1	CALL
80664	4" Fan	2	247.31
80665	Electromagnet 12-Volt	1	101.43
80491	Microswitch	2	19.04
80661	Pressure Switch	1	53.27
80663	Hopper Thermodisc	1	67.56
80462	Receptacle, 3-Prong	1	17.19
80461	Cord, 3-Prong	1	49.48
80249	Burn Back Thermodisc	1	26.33
80610	Proof of Fire Thermodisc	1	22.74
80642	Auger Motor	1	212.62
892325	Fan Cover Grill	1	10.09



PART NUMBERS BELOW ARE FOR 2012 AND NEWER MODELS

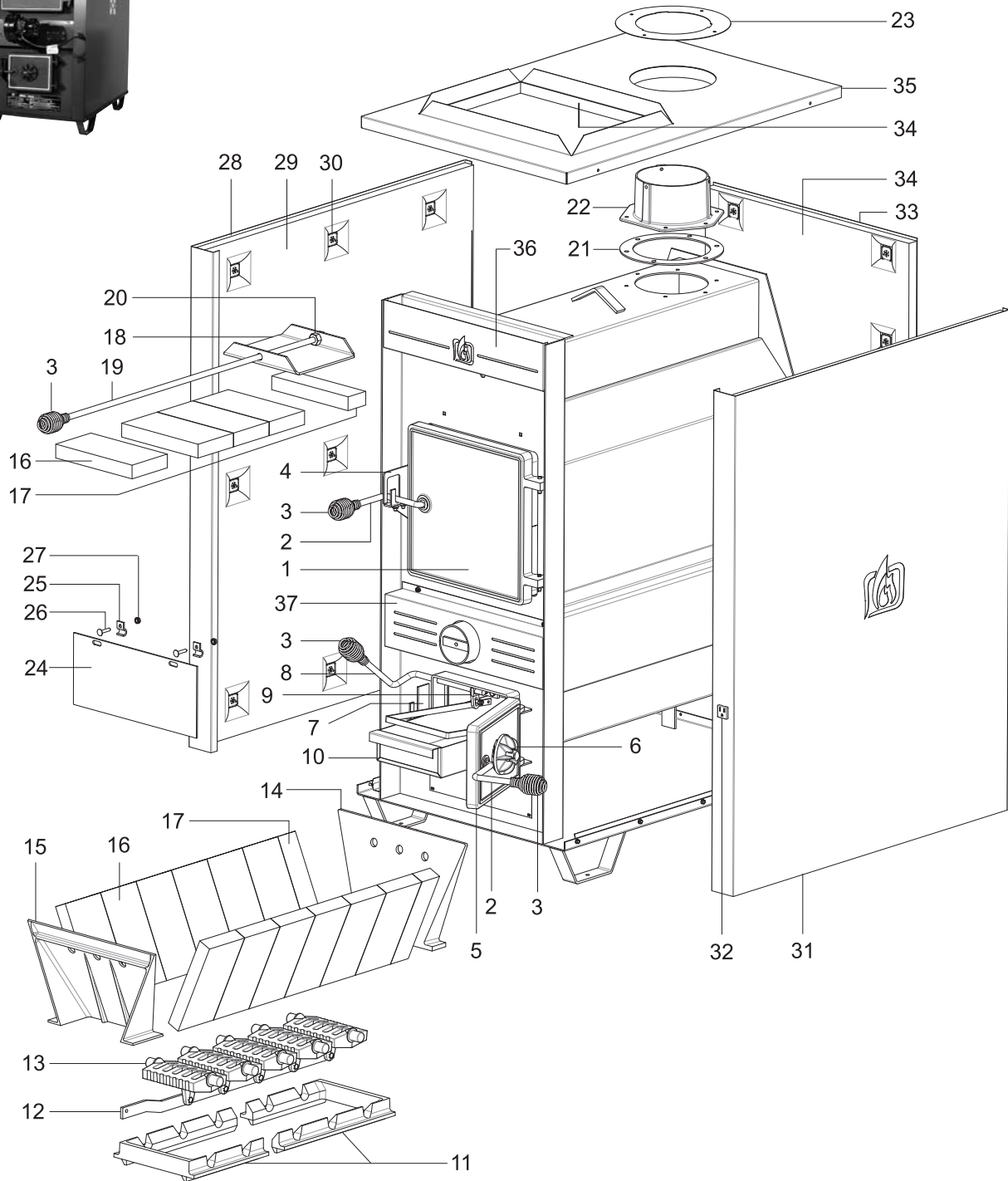
Key	Parts No.	Description	Qty.	Price
1	69529	Pedestal	1	123.56
2	25410	Pedestal Bottom	1	115.43
3	25451	Pedestal Back	1	60.04
4	69478MB	Ash Pan	1	177.55
5	891137	Handle	1	31.59
6	25533	Damper/Cleanout Guide	2	19.29
7	25532	Cleanout Guide	2	19.29
8	25531	Ash Cleanout (Lower)	2	19.29
9	69528	Damper (891226)	1	55.87
10	891660	Burnpot	1	207.52
11	891059	Agitator	1	90.67
12	83529	Hair Pin	2	7.12
13	25524	Ash Cleanout (Inner)	2	14.74
14	69593	Igniter Tube Weldment	1	35.47
15	88118	Igniter Flange Gasket	1	5.14
16	80543	Igniter Cartridge	1	104.22
17	69516	Feed Door Assembly	1	654.26
18	891135	Spring Handle (Large)	1	31.59
19	25080	Door Latch	1	14.22
20	891705	Vermaculite Board (Herringbone)	1	74.92
21	69497	Louver Assembly	1	136.95
22	88116	Insulation (Kaowool)	1	30.95
23	86627	Exhaust Duct	1	163.78
24	88114	Exhaust Duct Weldment	1	10.21
25	80473	Exhaust Blower	1	309.45
26	88100	Exhaust Blower Gasket	1	10.09
27	80472	Distribution Blower	1	241.77
28	88106	Distribution Blower Gasket	1	12.44
30	80491	Micro Switch	1	19.04
31	891164	Auger Housing Weldment	1	144.96
32	891141	Auger	1	149.39
33	891132	Bottom Bushing (Retaining Ring - Pt #. 83534)	1	11.70
34	69514	Top Bushing Plate Assy.	1	56.71
35	891248	Bottom Plate Retainer	1	44.36
36	891195	Drive Motor Bracket	1	24.98
37	891169	Hose (2 per)	0.167 ft	6.84
38	891180	Auger Cover	1	16.65
39	88120	Gasket, 0.188 x 1.0 Flat FbrGlss.	0.25 ft	11.95
40	80488	Drive Motor (Auger)	1	185.05

Key	Parts No.	Description	Qty.	Price
41	80456	Drive Motor (Agitator)	1	185.05
42	891083	Sprocket, Motor	1	49.64
43	891057	Sprocket, Shaft	1	44.84
44	891058	Chain - 36 Links	1	72.63
45	69594	Primary Bushing Assembly	1	29.00
46	88111	Agitator Bracket Gasket	1	5.35
47	69595	Secondary Bushing Assembly	1	25.13
48	891706	Drive Shaft - Agitator	1	41.66
49	80549	Pressure Switch	1	140.23
50	25648	Pressure Switch Bracket	1	12.34
51	891121	Silicone Hose	0.4 ft	20.68
52	83564	Hose Clamp	1	2.89
53	89586	Auger Nipple	1	8.99
54	80381	110°F Snap Disc (Low Limit)	1	32.41
55	80390	170°F Snap Disc (High Limit)	1	33.67
56	69506	Cabinet Support, Top/Left	1	39.27
57	25448	Support Frame, Back/Left	1	28.24
58	69505	Cabinet Support, Top/Right	1	39.27
59	25447	Support Frame, Back/Right	1	46.34
60	25412	Right Cabinet Side	1	146.57
61	25411	Left Cabinet Side	1	135.56
62	80575	PCB, Circuit Board	1	528.98
N/S	80485	Wiring Harness, Main	1	102.38
63	25682	Cabinet Back	1	97.36
64	80462	Receptacle, 3-Prong	1	17.19
65	80461	Power Supply Cord	1	49.48
66	69708L	Top/Lid Assembly Complete	1	CALL
67	25636L	Lid Only	1	49.07
68	891148	Plastic Handle	1	19.93
69	69680	Hopper Extension Box Assy.	1	341.49
70	69707	Right Side Hopper Extension Assy.	1	55.48
71	25807	Right Side Cover	1	25.59
72	69706	Left Side Hopper Extension Assy.	1	53.34
73	25808	Left Side Cover	1	25.59
74	25809L	Back Plate Cover	1	25.59
75	25493	Corner Trim	2	30.15
76	25468MB	Trim, Front Panel	1	63.32
77	25472MB	Trim, Left Panel	1	63.32
78	25471MB	Trim, Right Panel	1	63.32
79	891963	One Piece Trim	ALT	91.76



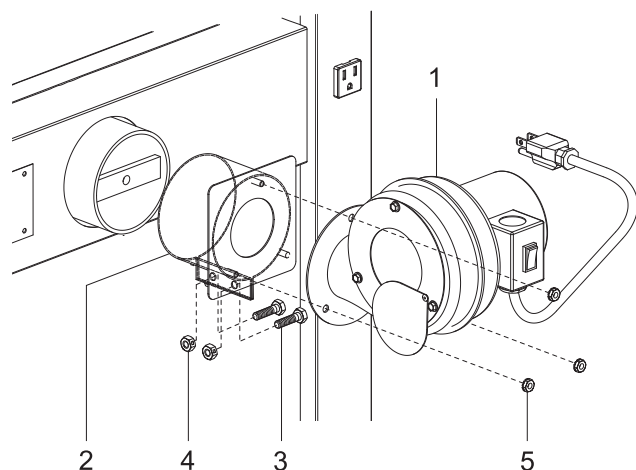
Key	Parts No.	Description	Qty.	Price
1	23786	DOOR LATCH (C000022)	1	35.44
2	24179	FEED DOOR HANDLE	1	63.08
3	25427	RETAINER, AGITATOR MOTOR	1	13.14
4	40501	AGITATOR - CAST	1	90.67
5	69679	ASSY, FEED DOOR (BLANK)	1	472.92
6	80461	POWER SUPPLY CORD	1	49.48
7	80462	RECEPTACLE, 3 PRONG	1	17.19
8	80488	DRIVE MOTOR (1.5 RPM CCW)	1	185.05
9	80495	120 CFM BLOWER ASSEMBLY	1	219.49
10	80530	BLOWER, ROOM 800CFM	2	396.61
11	80531	RTD, PLATINUM	1	83.88
12	80549	PRESSURE SWITCH	1	140.23
13	80554	ASSY, CONTROLLER PCB	1	542.33
14	80616	WIRING HARNESS, MAIN	1	79.53
15	80617	WIRING HARNESS, ROOM BLOWERS	1	14.92
16	83045A	WASHER, 3/8"ID X 7/8" OD X 1/16 THK	2	2.62
17	83274	3/8-16 LK NUT BLACK	2	2.62
18	83529	HAIRPIN	2	7.12
19	83533	ROLL PIN 1/8" DIA X 7/8"	1	2.62
20	83551	1/4-20 WING NUT, BRASS	2	2.62
21	83564	CLAMP, HOSE-1/2, SELF-COMPEN.	2	2.89
22	86620	AGITATOR DRIVE SHAFT	1	37.35
23	88111	GASKET, AGITATOR BRACKET	1	5.35
24	88123	GASKET, BLOWER 120 CFM	1	14.47
25	88127	BLOWER GASKET	2	10.19
26	891121	HOSE, SILICONE	2	20.68
27	891135	HANDLE, SPRING (LG-NICKEL)	1	31.59
28	891187	BRKT, PRESSURE SWITCH/PCB	1	18.28
29	25422	MOUNTING BRACKET FOR 3/4" BUSHING	1	29.17
30	83534	RETAINING RING	3	9.39
31	891132	AGITATOR BUSHING	3	11.70
32	891284	ACCESS PANEL, AGITATOR MOTOR	1	26.97
33	891296	TRANSITION DUCT, 10" ROUND	1	157.26

Key	Parts No.	Description	Qty.	Price
34	891331	SPRING HANDLE - BRUSHED NICKEL	1	6.36
35	891364	HEARTH PLATE	1	35.84
36	891374	ACCESS PANEL, PLENUM	1	27.03
37	891423	PIN, DOOR HINGE	2	28.24
38	891445	ASH PAN ASSEMBLY	1	167.09
39	891455	WLDMT, BURNPOT	1	159.14
40	891461	COVER, EXHAUST CLEANOUT	1	29.20
41	891471	LID WELDMENT	1	124.15
42	891440	CLEANOUT, ASH	2	14.52
43	891262	BAFFLE	1	52.56
44	891457	CLEANOUT, ASH (LOWER)	2	14.17
45	891485	WELDMENT - DAMPER	1	50.53
46	89586	AUGER NIPPLE	1	8.99
47	80501	THERMISTOR, LONG LEAD	1	66.71
48	892066	TOP COVER WELDMENT	1	CALL
49	25496	COVER, AUGER (891180)	1	29.87
50	891338	ASSY, MOUNTING BRKT, LID SWITCH	1	CALL
51	891195	BRKT, DRIVE MOTOR (25495L)	1	24.98
52	891189	PLATE, TOP BUSHING	1	5.59
53	80529	AUGER MOTOR	1	338.48
54	891141	AUGER	1	149.39
55	891164	WELDMENT, AUGER HOUSING	1	144.96
56	891190	PLATE, BOTTOM BUSHING	1	5.88
57	891169	HOSE, HEATER	2	6.84
58	891248	WELD., BOT. PLATE RETAINER	1	44.36
59	892079	SIDE PANEL, LEFT	1	CALL
60	892080	SIDE PANEL, RIGHT	1	91.76
61	892081	TRANSITION, EXHAUST DUCT	1	149.39
62	892084	ACCESS PANEL, BACK	1	55.48
63	892086	BLOWER MOUNT	1	74.71
64	892087	ACCESS PANEL, BLOWER	1	CALL
65	89603	BRASS CONNECTOR	1	5.14



Key	Parts No.	Description	Qty.	Price
1	69679	Feed Door Assy. (w/Rope Gasket)	1	472.92
2	24179	Door Handle	2	63.08
N/S	83444	Lock Nut, 1/2-13	2	2.62
N/S	83835	Washer	2	2.62
3	891135	Spring Handle	4	31.59
4	23786	Feed Door Latch	1	35.44
5	68880	Ash Door Assy. (w/Rope Gasket)	1	233.89
6	23859B	Draft Cap	1	50.53
7	23823	Ash Door Latch	1	35.44
N/S	C21399	Hinge Pin, 5/16" x 1"	4	2.62
8	69005	Shaker Handle	1	45.54
9	24204	Bracket, Shaker Handle	1	15.22
10	68882	Ash Pan	1	70.70
11	40312	Grate Retainer	2	89.34
12	891341	Shaker Bar	1	45.54
13	40314	Shaker Grate Section	5	52.51
14	40313	Back Liner	1	131.26
15	40344	Front Liner	1	100.98
16	89066	Full Firebrick (4-1/2 wide x 9 tall x 1-1/4 thick)	16	12.50
17	891414	Half Firebrick (2-1/4 wide x 9 tall x 1-1/4 thick)	3	15.96
18	24231	Slide Baffle	1	60.64
19	86603	Baffle Rod	1	20.25
20	83444	Lock Nut, 1/2-13	2	2.62
21	88032	Gasket, Flue Collar	1	21.06
22	40246	Flue Collar	1	63.08
23	22761	Flue Collar Ring	1	30.42

Key	Parts No.	Description	Qty.	Price
24	23800	Smoke Curtain	1	36.89
25	23787	Smoke Door Clip	2	10.53
26	83445	Carriage Bolt, 1/4-20 x 1-1/4 Long	2	2.62
27	83250	Keq Nut, 1/4-20	2	2.62
28	69676B	Cabinet Side, Left	1	CALL
29	C98771	Insulation, Side	2	50.53
30	83884	Insulation Retainer	41	2.62
31	69675B	Cabinet Side, Right	1	CALL
32	80351	Receptacle, Snap-In	1	15.24
33	69573B	Cabinet Back	1	CALL
34	C98871	Insulation, Panel	2	30.42
35	69088B	Cabinet Top	1	CALL
36	69674B	Front Filler	1	33.16
37	69677B	Draft Cover	1	CALL
38	80530	Room Blower - 800 CFM	2	396.61
39	88127	Blower Gasket	2	10.19
40	83340	Tinnerman Clip, 1/4-20	8	2.62
41	83339	Bolt, 1/4-20 x 3/4	8	2.62
42	69578	Conduit Assembly (5ft)	2	29.06
43	80145	Honeywell Limit Control	1	217.41
44	68859	Conduit Assembly (1ft)	1	25.57
45	25625	Junction Box	1	30.82
46	25626	Insulation (5" x 5")	1	7.70
47	C42373	Rocker Switch	1	15.22
48	80362	Romex Cable Clamp	1	2.62
49	80130	Fan Center Control	1	210.07
50	23819	Water Coil Access Cover	1	45.52
-	FBP6	Firebrick (6 pack)	1	CALL

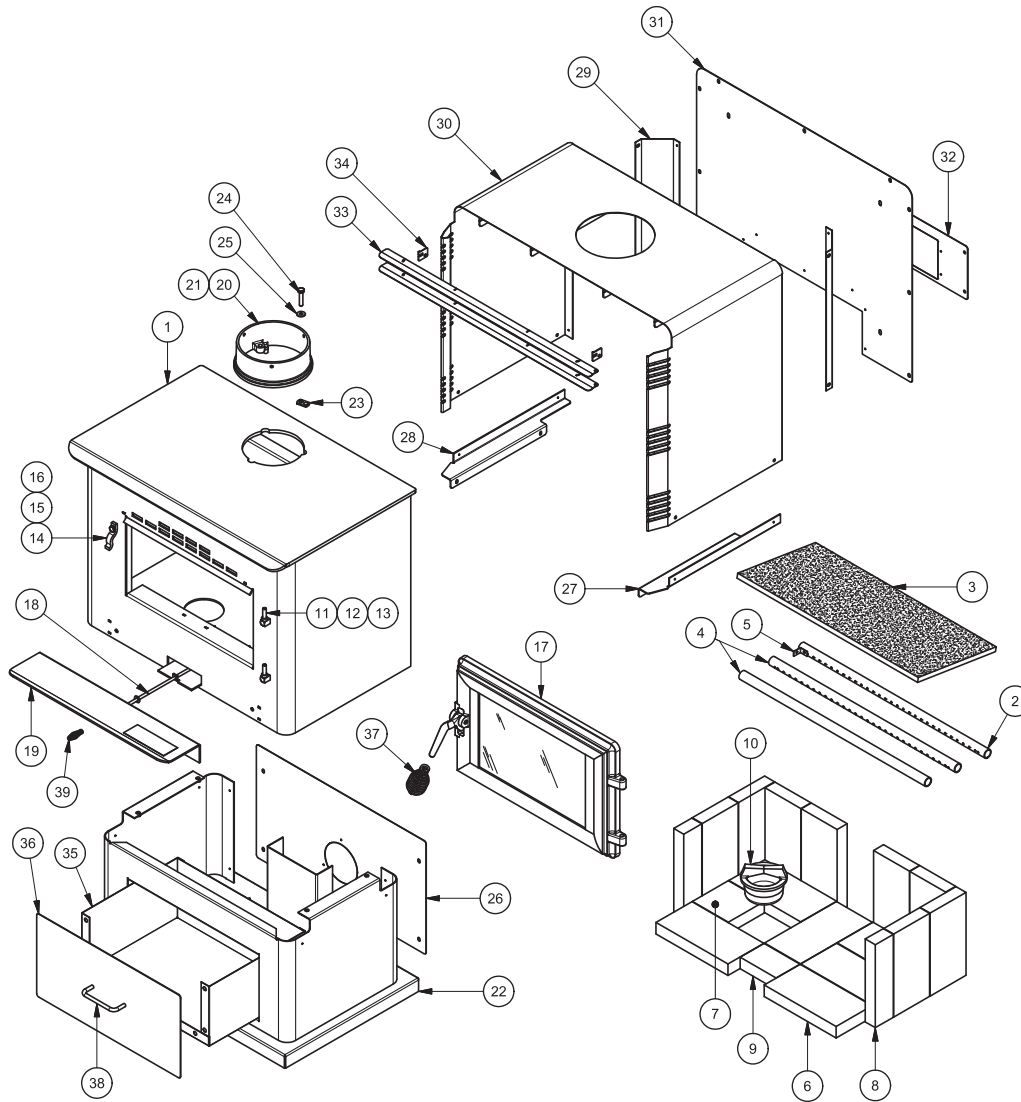


69189 Parts Diagram and List

Key	Parts No.	Description	Qty.	Price
1	69190	Draft Blower Assembly	1	277.82
2	69192	FAD Bracket	1	28.08
3	83379	Bolt, 1/4-20 x 1"	2	2.62
4	83261	Lock Nut, 1/4-20	2	2.62
5	83244	Keq Nut, 10-24	3	2.62

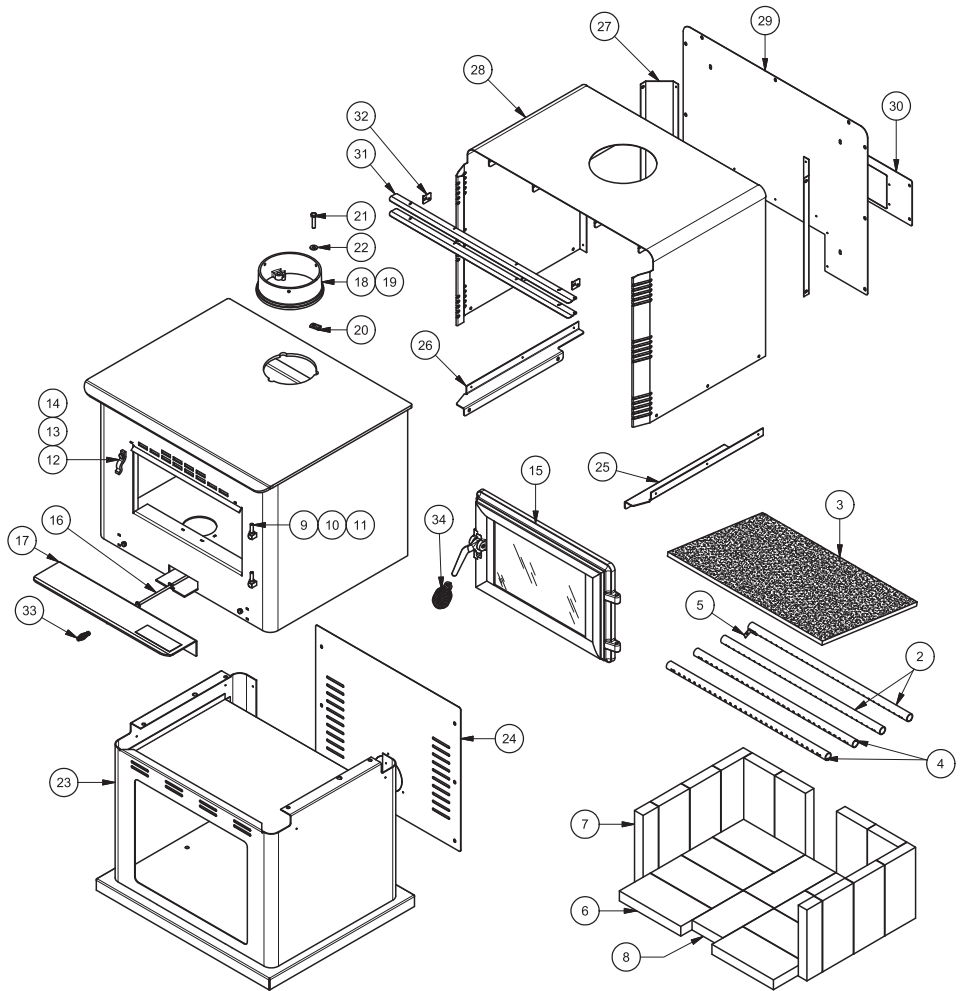


Parts No.	Description	Qty.	Price
892163	Large Glass	1	311.34
892164	Side Glass	2	67.38
88087	Glass Gasket-Large	4.3 ft	10.53/ft.
88087	Glass Gasket-Side	1.6 ft	10.53/ft.
88082	Door Gasket	6 ft.	2.60/ft.
88042	Gasket, Flue Collar	1.5 ft	2.62/ft.
88172	Gasket, Lower Fuel Chute	1	16.40
88187	Gasket, Upper Fuel Chute	2	CALL
88171	Gasket, Fuel Dump	1	16.40
88170	Brick Panel	1	183.28
88169	Board, Ceramic Fiber	2	43.57
69750	Burnpot	1	CALL
26035	Agitator	1	CALL



Key	Parts No.	Description	Qty.	Price
1	—	WELD., MAIN BODY	1	N/A
2	86643	TUBE (Ø5/32), SECONDARY AIR	1	40.88
3	88146	BOARD, CERAMIC FIBER	1	71.93
4	86645	TUBE (Ø7/32), SECONDARY AIR	2	40.88
5	891515	RETAINER, TUBE	3	4.10
6	89066	BRICK (9 x 4.5)	14	12.50 ea.
7	24103	BRICK, HALF (4.5 x 4.5)	1	12.50
8	891414	BRICK, HALF (9 x 2.25)	2	15.85
9	891783	BRICK (3 x 4.5)	1	17.66
10	40561	ASH PLUG	1	40.45
11	891373	PAD, DOOR HINGE (THREADED)	2	10.24
12	83045A	WASHER, 3/8"ID X 7/8" OD X 1/16 THK	2	2.62
13	83274	3/8-16 LK NUT BLACK	2	2.62
14	25080	LATCH, DOOR	1	14.22
15	83508	5/16-18 X 3/4 BOLT	1	2.62
16	83338	5/16-18 LOCK NUT	1	2.62
17	69660	ASSY., DOOR_ LARGE RECT.	1	597.61
18	891516	WELD., DAMPER SLIDE	1	20.52
19	892020	PLATE, HEARTH	1	70.41
20	40292A	6" FLUE COLLAR	1	35.44

Key	Parts No.	Description	Qty.	Price
21	88042	1/4" ROPE GASKET	1	2.62
22	69665	ASSEMBLY, PEDESTAL	1	CALL
23	83431	WELD TAB	3	2.62
24	83432	5/16-18 X 1-1/2 HX HD C/S PL	3	2.62
25	83045	WASHER, 5/16"ID X 3/4" OD X 1/16 THK	3	2.62
26	892031	BACK, PEDESTAL	1	60.48
27	892024	R-MOUNTING BRKT, SHROUD	1	60.48
28	892025	L-MOUNTING BRKT, SHROUD	1	60.48
29	892009	SHROUD MOUNT, REAR	2	60.48
30	69704	WELDMENT, SHROUD	1	CALL
31	892008	REAR, SHROUD PANEL	1	81.09
32	892015	PLATE, BLOWER ADAPTER	1	53.34
33	892013	LOUVER	2	40.54
34	892014	RETAINER, LOUVER	2	21.33
35	892032	BODY, ASH PAN	1	233.20
36	892033	FRONT, ASH PAN	1	52.04
37	891135	HANDLE, SPRING (LG-NICKEL)	1	31.59
38	891137	HANDLE, BRUSHED NICKEL	1	31.59
39	891331	SPRING HANDLE - BRUSHED NICKEL	1	6.36
—	FBP6	Firebrick (6 pack)	1	CALL



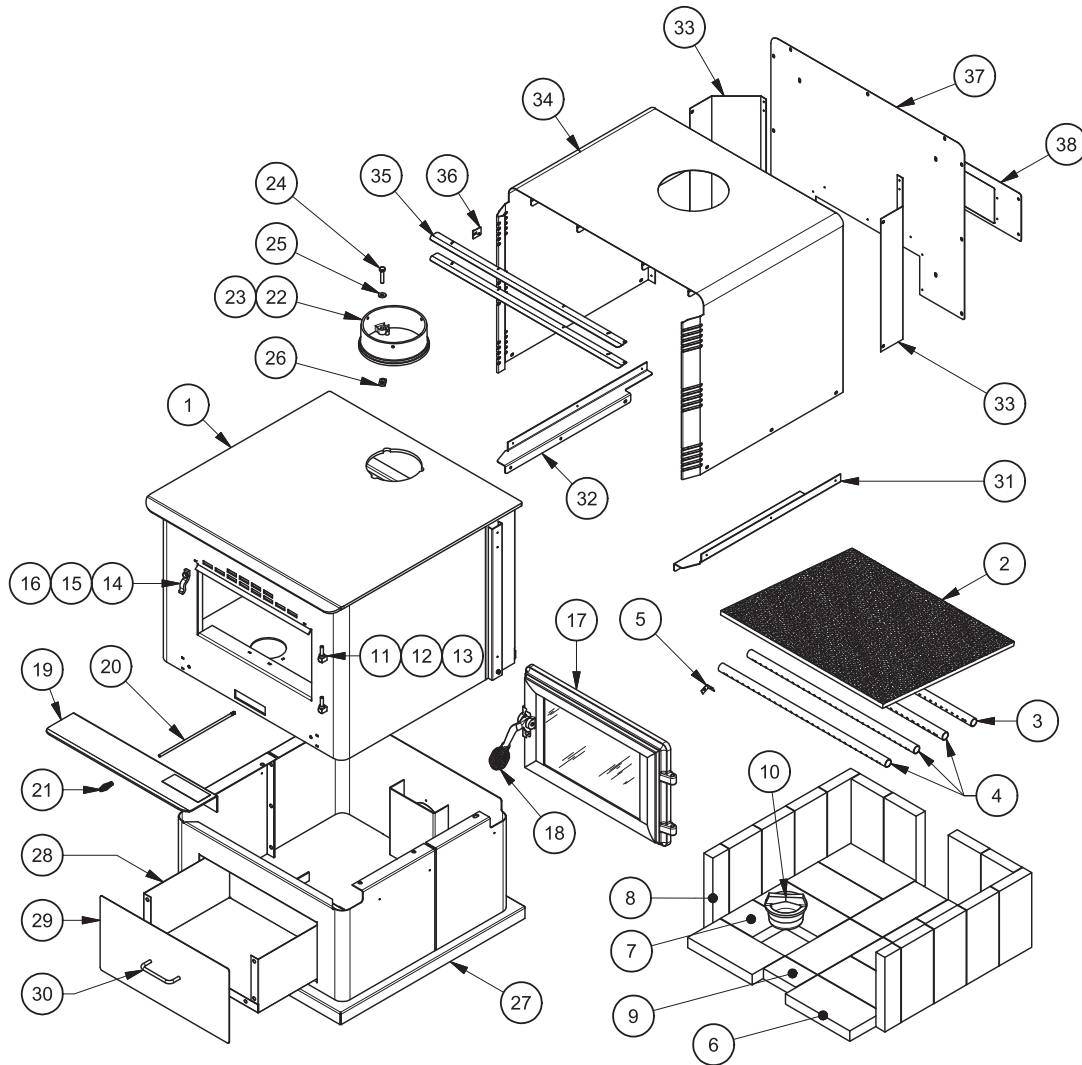
SW3100 Insert Parts

Parts No.	Description	Price
SAW1B	Blower Kit-All Units-Optional	
A-BRICK-W31	Brick Panel Set	CALL
C-S-852	Damper Knob	23.64
C-G-050	Door Gasket	5.32/ft.
C-D-038	(891979) Door Glass	262.48
CW-D-031	Door Handle Shaft	41.97
CW-M-250	Door Handle Wood	CALL
C-S-110	Glass Clip	7.46
C-G-033	Glass Gasket	5.02/ft.
A-W3100-OAK	Outside Air Kit	213.79
CW-D-021	Latch Cam	41.97
CW-S-009	Secondary Air Tube—Front (First two tubes)	88.62
CW-S-009-R	Secondary Air Tube—Rear	71.85
CW-F-031	Woodruff Key	2.29

Key	Parts No.	Description	Qty.	Price
	1	— WELD., MAIN BODY	1	N/A
	2	86643 TUBE (Ø5/32), SECONDARY AIR	2	40.88
	3	88138 BOARD, CERAMIC FIBER	1	48.92
	4	86645 TUBE (Ø7/32), SECONDARY AIR	2	40.88
	5	891515 RETAINER, TUBE	4	4.10
	6	89066 BRICK (9 x 4.5)	19	12.50
	7	891414 BRICK, HALF (9 x 2.25)	2	15.85
	8	891530 BRICK (4.5 x 7.5 x 1.25)	1	22.60
	9	891373 PAD, DOOR HINGE (THREADED)	2	10.24
	10	83045A WASHER, 3/8"ID X 7/8" OD X 1/16 THK	2	2.62
	11	83274 3/8-16 LK NUT BLACK	2	2.62
	12	25080 LATCH, DOOR	1	14.22
	13	83508 5/16-18 X 3/4 BOLT	1	2.62
	14	83338 5/16-18 LOCK NUT	1	2.62
	15	69660 ASSY., DOOR_ LARGE RECT.	1	597.61
	16	891516 WELD., DAMPER SLIDE	1	20.52
	17	892020 PLATE, HEARTH	1	70.41
	18	40292A 6" FLUE COLLAR	1	35.44

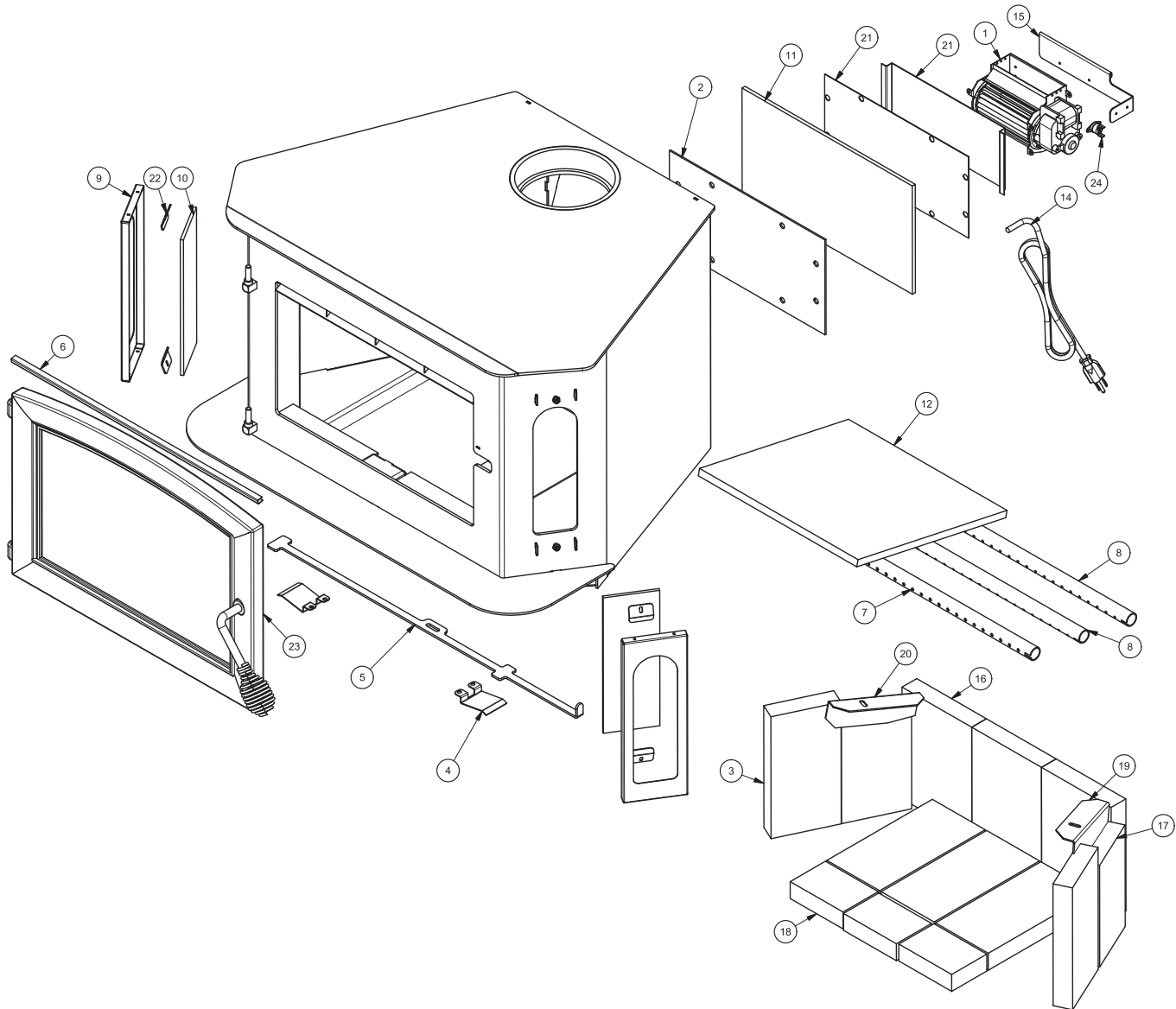
Key	Parts No.	Description	Qty.	Price
	19	88042 1/4" ROPE GASKET	1	2.62
	20	83431 WELD TAB	3	2.62
	21	83432 5/16-18 X 1-1/2 HX HD C/S PL	3	2.62
	22	83045 WASHER, 5/16"ID X 3/4" OD X 1/16 THK	3	2.62
	23	69664 ASSEMBLY, PEDESTAL	1	CALL
	24	892019 BACK, PEDESTAL	1	70.41
	25	892010 R-MOUNTING BRKT, SHROUD	1	60.48
	26	892011 L-MOUNTING BRKT, SHROUD	1	60.48
	27	892009 SHROUD MOUNT, REAR	2	60.48
	28	69705 WELDMENT, SHROUD	1	CALL
	29	892008 REAR, SHROUD PANEL	1	81.09
	30	892015 PLATE, BLOWER ADAPTER	1	53.34
	31	892013 LOUVER	2	40.54
	32	892014 RETAINER, LOUVER	2	21.33
	33	891331 SPRING HANDLE - BRUSHED NICKEL	1	6.36
	34	891135 HANDLE, SPRING (LG-NICKEL)	1	31.59

—	FBP6	Firebrick (6 pack)	1	CALL
---	------	--------------------	---	------



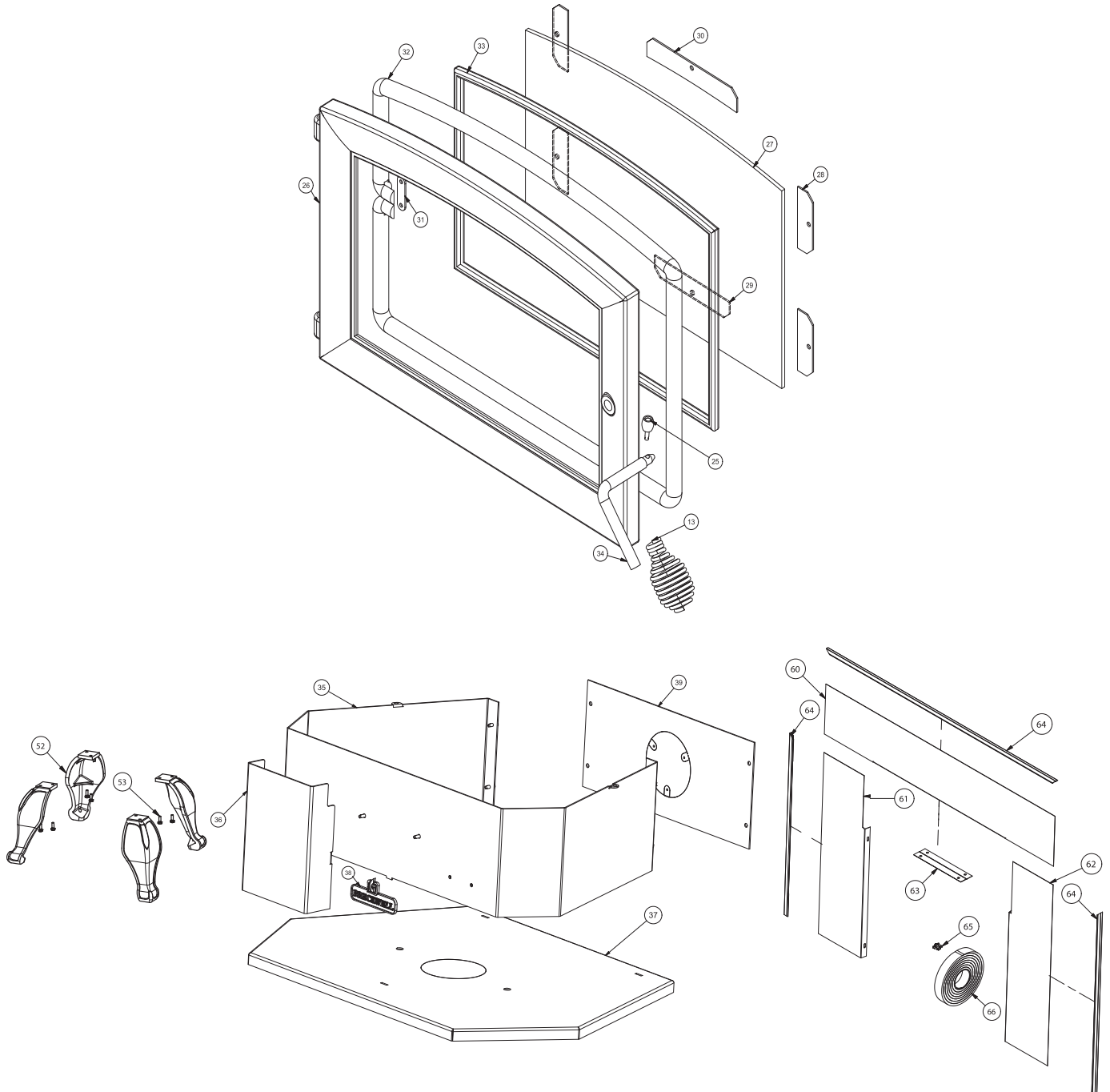
Key	Parts No.	Description	Qty.	Price
1	—	WELD., MAIN BODY	1	N/A
2	88145	BOARD, CERAMIC FIBER	1	134.97
3	86643	TUBE (Ø5/32) , SECONDARY AIR	1	40.88
4	86645	TUBE (Ø7/32) , SECONDARY AIR	3	40.88
5	891515	RETAINER, TUBE	4	4.10
6	89066	FIREBRICK (4-1/2 x 9)	23	12.50
7	24103	FIREBRICK, HALF (4-1/2 x 4-1/2)	1	12.50
8	891414	HALF FIREBRICK	2	15.85
9	891783	FIREBRICK (3 x 4-1/2)	1	17.66
10	40561	ASH PLUG	1	40.45
11	891373	PAD, DOOR HINGE (THREADED)	2	10.24
12	83045A	WASHER, 3/8"ID X 7/8" OD X 1/16 THK	2	2.62
13	83274	3/8-16 LK NUT BLACK	2	2.62
14	25080	LATCH, DOOR	1	14.22
15	83508	5/16-18 X 3/4 BOLT	1	2.62
16	83338	5/16-18 LOCK NUT	1	2.62
17	69660	ASSY., DOOR_ LARGE RECT.	1	597.61
18	891135	HANDLE, SPRING (LG-NICKEL)	1	31.59
19	892020	PLATE, HEARTH	1	70.26
20	891929	ROD, DAMPER	1	53.34

Key	Parts No.	Description	Qty.	Price
21	891331	SPRING HANDLE - BRUSHED NICKEL	1	6.36
22	40292A	6" FLUE COLLAR	1	35.44
23	88042	1/4" ROPE GASKET	1	2.62
24	83432	5/16-18 X 1-1/2 HX HD C/S PL	3	2.62
25	83045	WASHER, 5/16"ID X 3/4" OD X 1/16 THK	3	2.62
26	83431	WELD TAB	3	2.62
27	69667	PEDESTAL, ASH PAN	1	CALL
28	892032	BODY, ASH PAN	1	233.20
29	892033	FRONT, ASH PAN	1	52.04
30	891137	HANDLE, BRUSHED NICKEL	1	31.59
31	892069	R-MOUNTING BRKT, SHROUD	1	64.38
32	892070	L-MOUNTING BRKT, SHROUD	1	64.38
33	892075	SHROUD MOUNT, REAR	2	59.27
34	69668	WELDMENT, SHROUD (892068)	1	785.67
35	892013	LOUVER	2	40.54
36	892014	RETAINER, LOUVER	2	21.33
37	892008	REAR, SHROUD PANEL	1	81.09
38	892015	PLATE, BLOWER ADAPTER	1	53.34
—	FBP6	Firebrick (6 pack)	1	CALL



Key	Parts No.	Description	Qty.	Price
1	80442	80 CFM BLOWER	1	201.31
2	26699	COVER PLATE, ACCESS PANEL	1	CALL
3	89066	FIREBRICK (4-1/2 x 9)	5	12.50
4	26410	TENSIONER, DAMPER ROD	2	19.93
5	26708	DAMPER ROD	1	50.27
6	892260	TRIM, STAINLESS (21")	1	17.64
7	86727	TUBE (Ø3/16) , SECONDARY AIR	1	116.95
8	86726	TUBE (Ø5/32) , SECONDARY AIR	2	106.37
9	26683	WINDOW COVER	2	53.27
10	892334	10.00 x 3.50 GLASS	2	65.97
11	88199	ACCESS PANEL INSULATION	1	29.99
12	88198	CERAMIC FIBER BOARD_TOP	1	138.47
13	891135	HANDLE, SPRING (LG-NICKEL)	1	31.59
14	80232	SUPPLY CORD	1	30.42
15	26707	BLOWER BRACKET	1	63.68
16	89784	FIREBRICK (1-1/4 X 5-15/16 X 8-1/4)	3	15.83
17	891530	FIREBRICK (4.5 x 7.5 x 1.25)	2	22.60

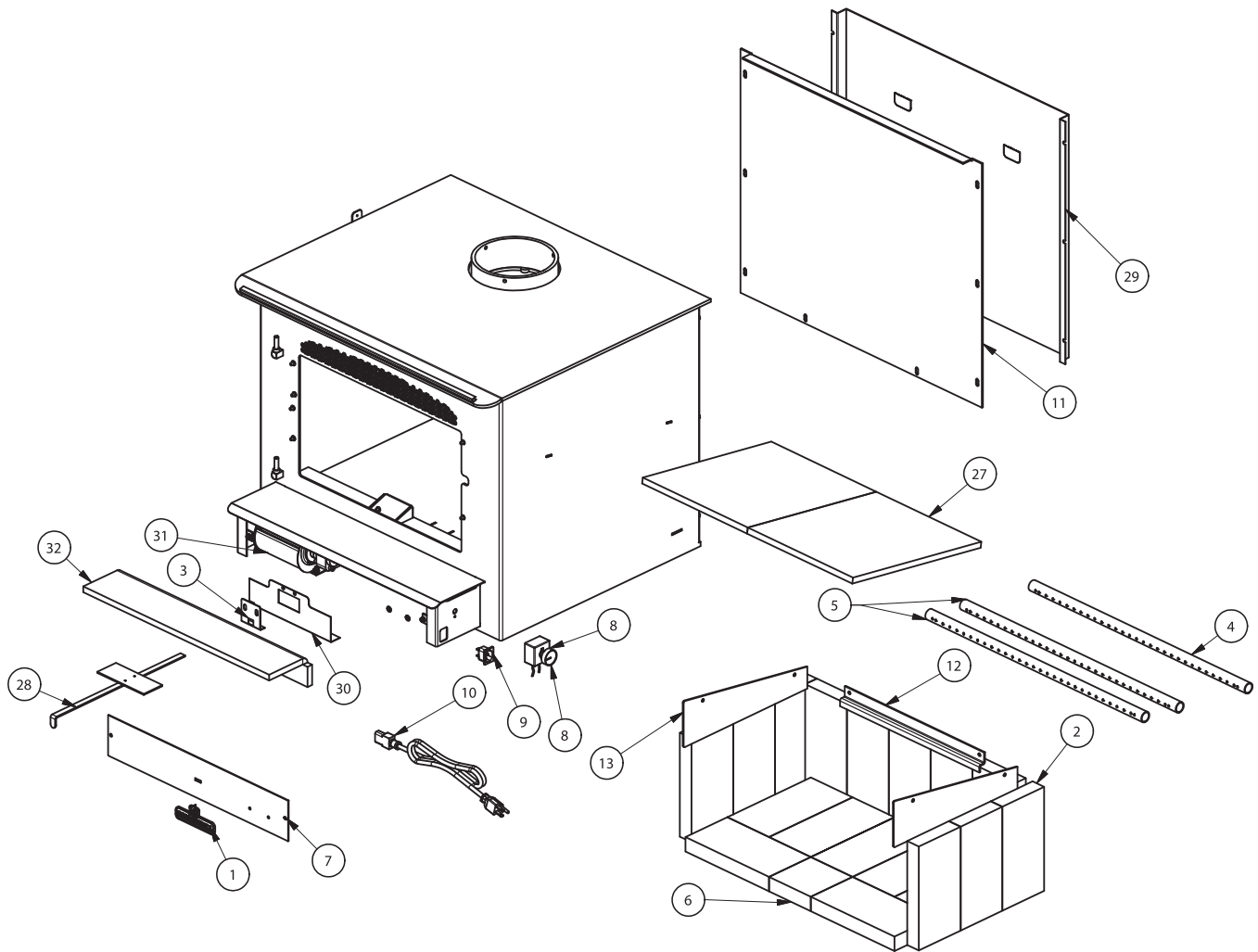
Key	Parts No.	Description	Qty.	Price
18	891783	FIREBRICK (3 x 4-1/2)	3	17.66
19	26706	RIGHT BRICK RETAINER	1	44.45
20	26705	LEFT BRICK RETAINER	1	44.45
21	69952	HEAT SHIELD	1	88.55
22	26703	WINDOW CLAMP	4	43.75
23	69953	DOOR ASSEMBLY	1	1,222.78
24	80610	THERMODISC, SURF MT, LOW LIMIT POF	1	22.74
25	891086	HANDLE CLEVIS PIN	1	2.62
26	40585	LARGE VIEWING GLASS DOOR	1	360.73
27	892204	GLASS	1	372.90
28	26312	GLASS CLAMP, SIDE	4	CALL
29	26311	GLASS CLAMP, BOTTOM	1	CALL
30	26310	GLASS CLAMP, TOP	1	CALL
31	26314	GASKET CLAMP	1	CALL
32	88082	3/4 ROUND ROPE GASKET-BLK		2.60/ft.
33	88087	GLASS GASKET (1 x 1/8)		1053/ft.
34	892333	4" HANDLE	1	93.49



SW180L LEGS			
Key Parts #	Description	Qty.	Price
52	40566 Leg, Cast Iron	4	72.28
53	83339 1/4-20 X 3/4 Hex Bolt	8	2.62

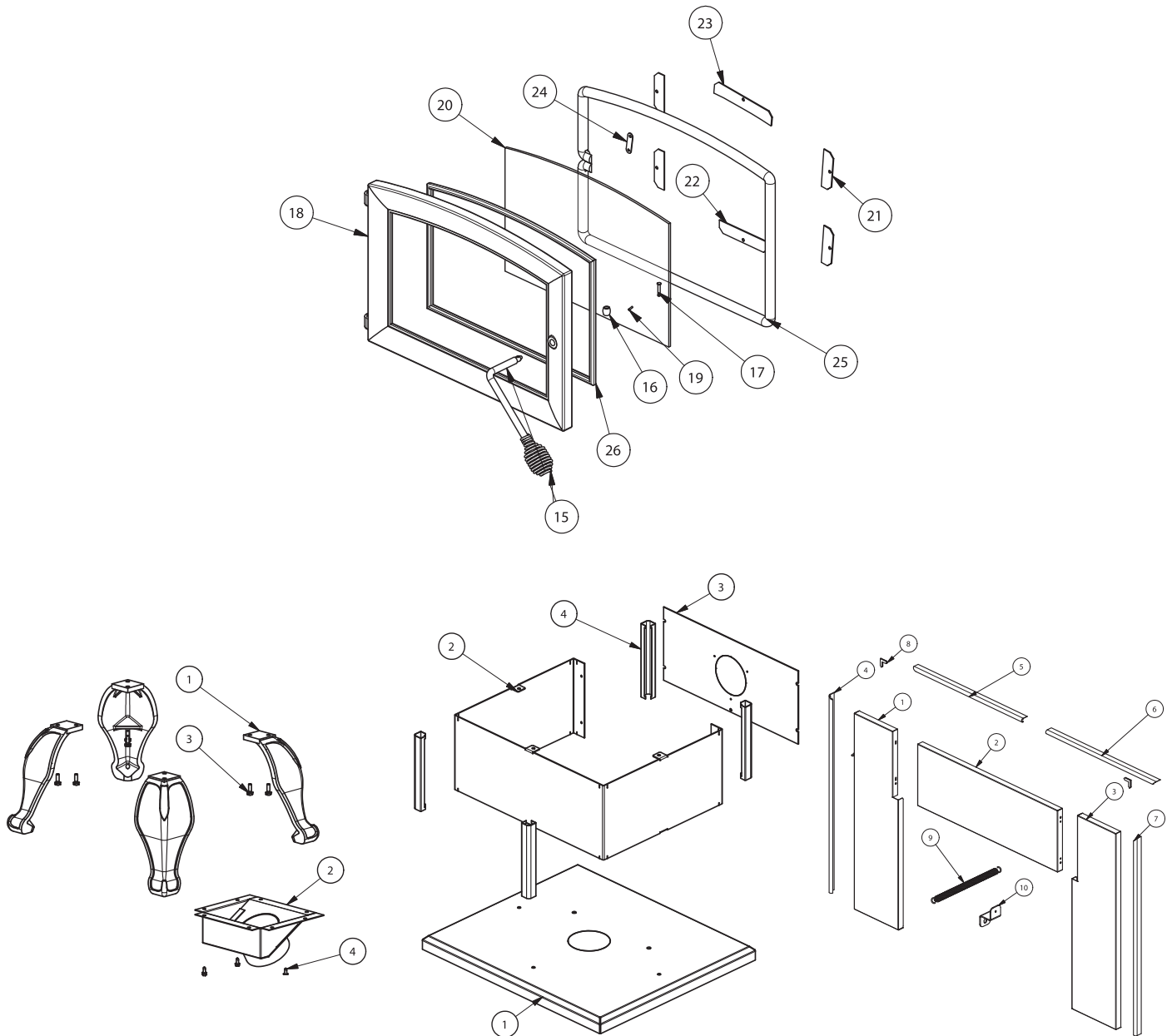
PEDESTAL BASE			
Key Parts #	Description	Qty.	Price
35	26731 MAIN WRAP	1	178.69
36	26732 CENTER SUPPORT	1	82.38
37	26733 BASE PLATE	1	197.39
38	852049 BRECKWELL LOGO	1	11.29
39	26730 BACKING PLATE	1	CALL

FLASHING			
Key Parts #	Description	Qty.	Price
60	26734 Surround, Top	1	80.97
61	26735 Surround, Left	1	52.04
62	26736 Surround, Right	1	52.04
63	26414 Clamp, Top Trim	1	25.22
64	892340 Trim Kit (Sw180)	1	CALL
65	83386 #10 X 3/4 Hx W Hd Dp Blk	6	2.62
66	88055 Gasket, Trim	1	30.39



Key	Parts No.	Description	Qty.	Price
	1	852049 BRECKWELL LOGO	1	11.29
	2	89066 FIREBRICK (4-1/2 x 9)	18	12.50
	3	26304 DAMPER ROD TENSIONER	1	22.93
	4	86643 TUBE (Ø5/32), SECONDARY AIR	1	40.88
	5	86690 TUBE (Ø3/16), SECONDARY AIR	2	154.88
	6	24103 FIREBRICK, HALF (4-1/2 x 4-1/2)	1	22.40
	7	26302 ACCESS PANEL	1	CALL
	8	80090 RHEOSTAT W/KNOB	1	84.04
	9	80462 RECEPTACLE, 3 PRONG	1	17.19
	10	80461 POWER SUPPLY CORD	1	49.48
N/S	83005	10-24X1/2 MS TR PH FL BLK	4	2.62
	11	26292 FIREBOX BACK	1	244.55
	12	26285 REAR BRICK RETAINER	1	44.10
	13	26286 BRICK BAFFLE	2	CALL
N/S	69839	DOOR ASSEMBLY	1	1,122.58
	14	891135 HANDLE, SPRING (LG-NICKEL)	1	31.59
	15	892228 7" HANDLE	1	98.25
	16	891085 HANDLE BEARING	1	10.09
	17	891086 HANDLE CLEVIS PIN	1	2.62

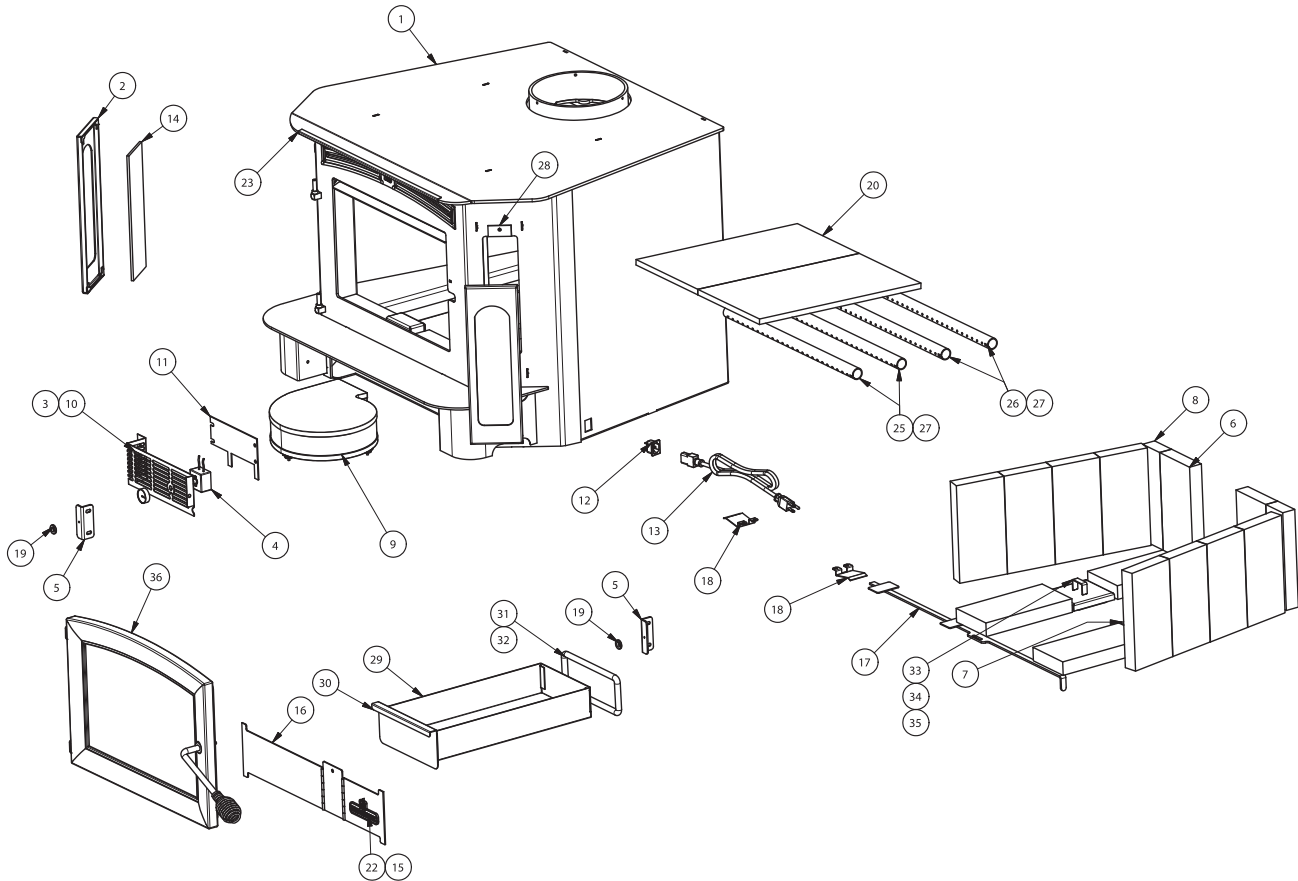
Key	Parts No.	Description	Qty.	Price
	18	40585 LARGE VIEWING GLASS DOOR	1	360.73
	19	891087 HANDLE SPRING PIN	1	2.62
	20	892204 GLASS	1	372.90
N/S	83362	10-24 X 1/4 MS PH RD PLN	8	2.62
	21	26312 GLASS CLAMP, SIDE	4	CALL
	22	26311 GLASS CLAMP, BOTTOM	1	CALL
	23	26310 GLASS CLAMP, TOP	1	CALL
	24	26314 GASKET CLAMP	1	CALL
	25	88082 (40585) 3/4 ROUND ROPE GASKET-BLK	1	2.62
	26	88087 (40585) GLASS GASKET (1 x 1/8)	1	10.53/ft
	27	88186 BOARD, CERAMIC FIBER	2	124.18
	28	69837 DAMPER WELDMENT	1	141.82
	29	26323 HEAT SHIELD	1	96.67
N/S	83257	PUSHNUT FASTENER (3/16")	2	2.62
	30	26346 AIR DAM	1	28.05
	31	80442 CONVECTION BLOWER	1	201.30
	32	88190 HEARTH PAD INSULATION	1	48.16
N/S	26345	BLOWER ADAPTER	1	28.40
N/S	83884	INSULATION HOLDER	5	2.62



LEGS			
Key Parts #	Description	Qty.	Price
1	40566 LEG, CAST IRON	4	72.28
2	69848 WELDMENT, FRESH AIR	1	265.65
3	83339 1/4-20 x 3/4 HEX BOLT	8	2.62
4	83343 #10x1/2 HX HD DP OX, Black	8	2.62

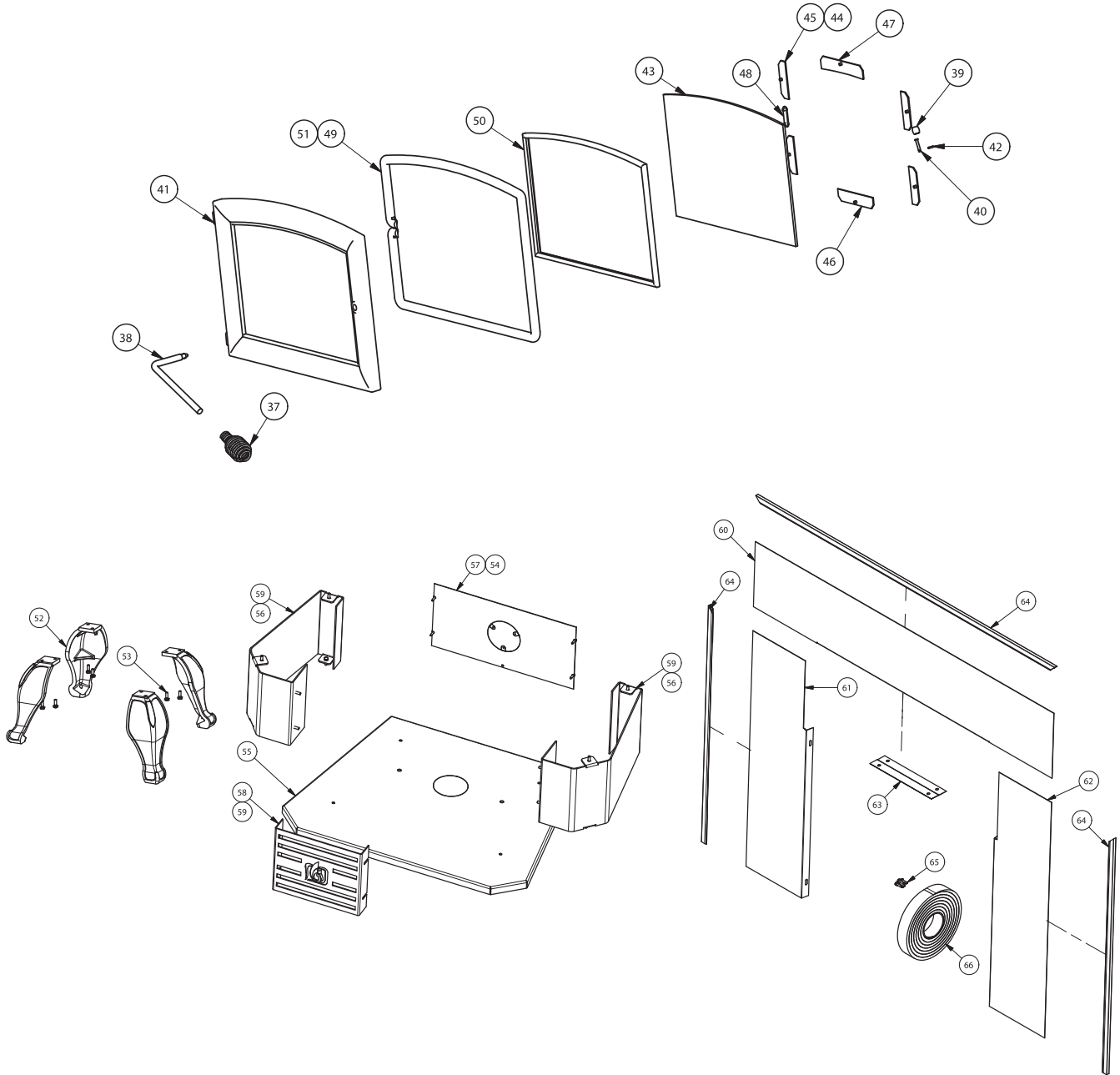
PEDESTAL BASE			
Key Parts #	Description	Qty.	Price
1	26298 PEDESTAL BASE	1	218.38
2	26299 PEDESTAL	1	163.17
3	26308 PEDESTAL BACK	1	CALL
4	26317 PEDESTAL CORNER	4	75.32
N/S	83409 1/2-20x1/4 HEX HEAD BOLT	6	2.60
N/S	83343 #10x1/2 SELF TAPPING SCREW	4	2.60

FLASHING			
Key Parts #	Description	Qty.	Price
1	26278 LEFT PANEL, FACADE	1	64.91
2	26279 CENTRAL PANEL, FACADE	1	60.86
3	26277 RIGHT PANEL, FACADE	1	64.91
4	891435-3 TRIM, FACADE SIDE-LEFT	1	CALL
5	891435-1 TRIM, FACADE TOP-LEFT	1	CALL
6	891435-2 TRIM, FACADE TOP-RIGHT	1	CALL
7	891435-4 TRIM, FACADE SIDE-RIGHT	1	CALL
8	444-1B-S-2 CORNER KEY w/SCREW	2	CALL
9	83913 SPRING	2	2.35
10	26321 SPRING BRACKET	2	17.82



Key	Parts No.	Description	Qty.	Price
1	69865	Main Weldment	1	N/A
2	69870	Window Cover	2	139.71
3	83548	1/4-20 X 1/2 Self-Tapping Screw	15	2.60
4	80090	Rheostat W/Knob	1	84.04
5	26400	Mounting Bracket	2	20.99
6	89066	Firebrick (4-1/2 X 9)	14	12.50
7	24103	Firebrick, Half (4-1/2 X 4-1/2)	1	22.40
8	891414	Firebrick (1-1/4 X 2-1/4 X 9)	2	15.85
9	80652	185 Cfm Blower	1	265.86
10	26398	Control Panel	1	40.22
11	26399	Blower Bracket	1	CALL
12	80462	Receptacle, 3 Prong	1	17.19
13	80461	Power Supply Cord	1	49.48
14	892232	11.50 X 3.50 Glass	2	88.55
15	83257	Pushnut Fastener (3/16")	2	2.62
16	69867	Access Doors	1	111.31
17	69866	Damper Rod	1	95.61
18	26410	Tensioner, Damper Rod	2	19.93
19	83914	Magnet	2	14.64
20	88191	Board, Ceramic Fiber	2	119.60
21	88087	Flat Rope Gasket		10.53/ft.
22	852049	Breckwell Logo	1	11.29
23	892260	Trim, Stainless (25")	1	17.64
24	80654	Ground Wire	1	5.06
25	86696	Tube (Ø3/16) , Secondary Air	2	162.46
26	86695	Tube (Ø5/32) , Secondary Air	2	157.17
27	83874	1/8 Dia X 1-1/2 Cotter Pin	4	2.62
28	26409	Window Clip	4	CALL
29	26402	Body, Ash Pan	1	203.38

Key	Parts No.	Description	Qty.	Price
30	26401	Front, Ash Pan	1	38.81
31	BS-099	1/2 In Rope Gasket	1	CALL
	89698	3 oz. Silicone Sealant (Black)	1	36.88
33	69872	Ash Plug	1	201.97
35	88082	Thermacord 1/2		2.62/ft.
36	69839	Door Assembly	1	1,122.58
37	891135	Handle, Spring (Lg-Nickel)	1	31.59
38	892228	7" Handle	1	98.25
39	891085	Handle Bearing	1	10.09
40	891086	Handle Clevis Pin	1	2.62
41	40585	Large Viewing Glass Door	1	360.73
42	891087	Handle Spring Pin	1	2.62
43	892204	Glass	1	372.90
44	83362	10-24 X 1/4 Ms Ph Rd Pln	8	2.62
45	26312	Glass Clamp, Side	4	CALL
46	26311	Glass Clamp, Bottom	1	CALL
47	26310	Glass Clamp, Top	1	CALL
48	26314	Gasket Clamp	1	CALL
49	88082	3/4 Round Rope Gasket-Blk		2.62/ft.
50	88087	Glass Gasket (1 X 1/8)		10.53/ft.
60	26411	Surround, Top	1	56.27
61	26412	Surround, Left	1	51.33
62	26413	Surround, Right	1	121.00
63	26414	Clamp, Top Trim	1	25.22
64	892259	Trim Kit (Sw940)	1	CALL
65	83386	#10 X 3/4 Hx W Hd Dp Blk	6	CALL
66	88055		1	47.63



LEGS

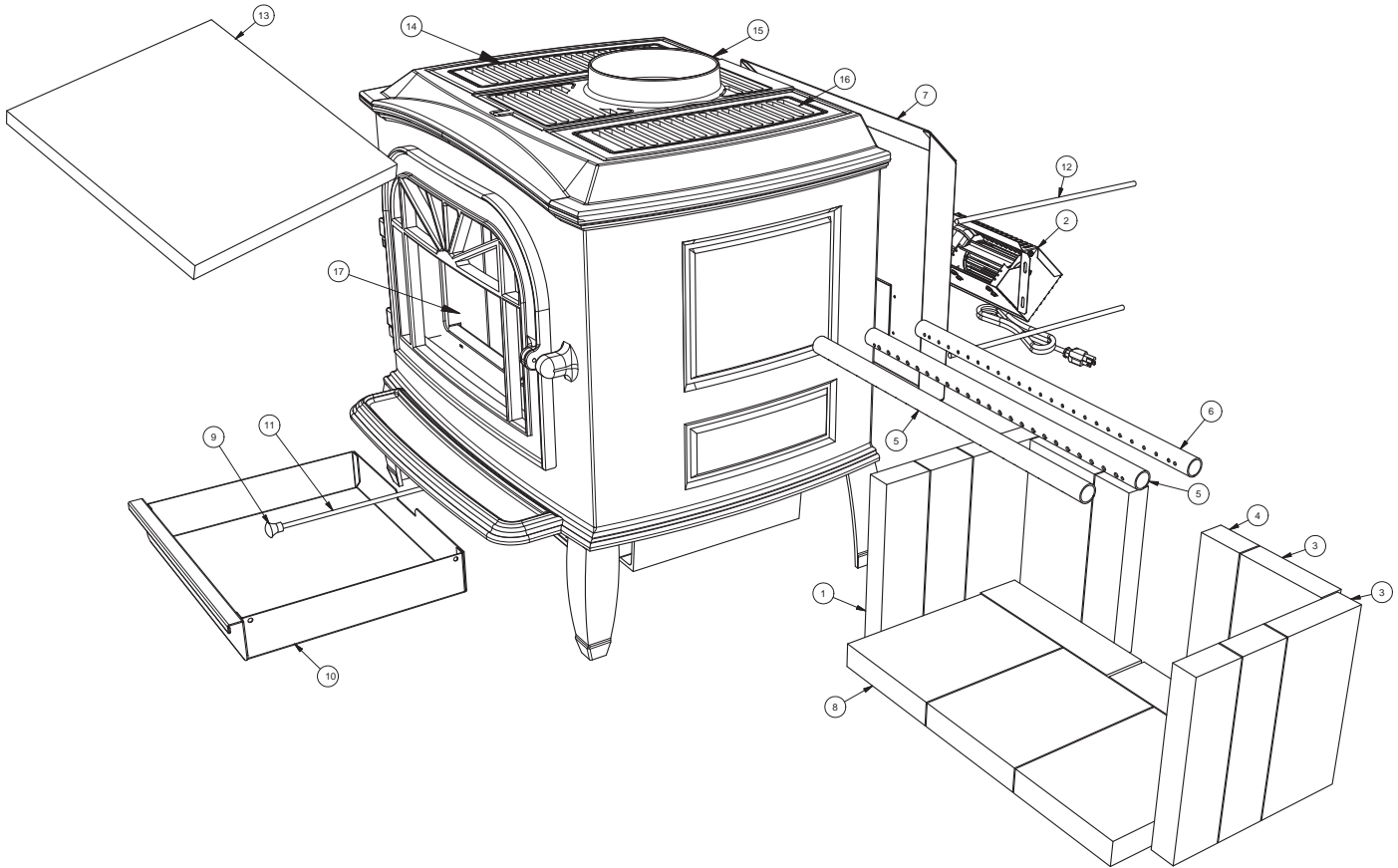
Key Parts #	Description	Qty.	Price
52	40566 Leg, Cast Iron	4	72.28
53	83339 1/4-20 X 3/4 Hex Bolt	8	2.62

PEDESTAL BASE

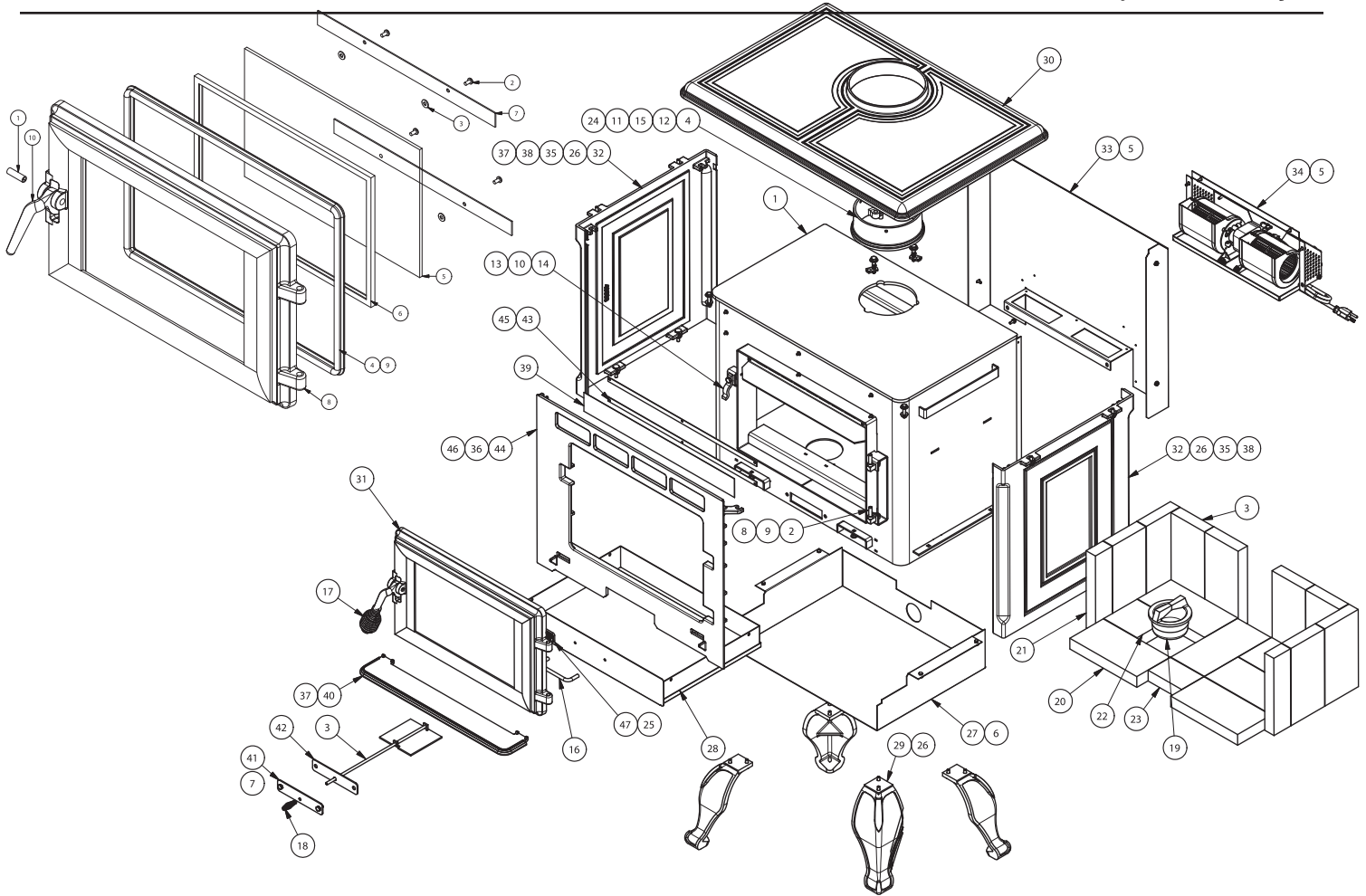
Key Parts #	Description	Qty.	Price
54	83386 #10 X 3/4 Hx W Hd Dp Blk	4	2.62
55	69874 Pedestal Base	1	498.85
56	83339 1/4-20 X 3/4 Hex Bolt	8	2.62
57	26418 Pedestal Back	1	CALL
58	26415 Access Panel	1	111.84
59	26416 Pedestal	2	190.51

FLASHING

Key Parts #	Description	Qty.	Price
60	26411 Surround, Top	1	56.27
61	26412 Surround, Left	1	51.33
62	26413 Surround, Right	1	121.00
63	26414 Clamp, Top Trim	1	25.22
64	892259 Trim Kit (Sw940)	1	CALL
65	83386 #10 X 3/4 Hx W Hd Dp Blk	6	2.62
66	88055	1	47.63



Key	Parts No.	Description	Qty.	Price
1	23783	Firebrick (1-1/4 X 2-9/16 X 9)	4	20.24
2	69354	Blower Assembly (B36)	1	399.71
3	89066	Firebrick (4-1/2 X 9)	4	12.50
4	891414	Half Firebrick	4	15.85
5	86656	Secondary Air Tubes	2	CALL
6	86655	Secondary Air Tube, Rear	1	CALL
7	69942	Heatshield Weldment	1	195.62
8	891095	Firebrick (1-1/4 X 5-15/16 X 8-1/4)	3	12.44
9	891987	Plastic Knob	1	9.76
10	69945	Weldment, Ash Pan	1	207.09
11	86668	Damper Rod	1	4.64
12	83614	15" Threaded Rod	4	CALL
13	88147	Baffle Board	1	CALL
14	40619	Top Cast Grate Left	1	CALL
15	40620	Top Cast Grate With Flue	1	CALL
16	40621	Top Cast Grate Right	1	CALL
17	892342	Door Glass	1	CALL



Key	Parts No.	Description	Qty.	Price
1	69845	MAIN WELDMENT	1	N/A
2	891373	PAD, DOOR HINGE (THREADED)	2	10.24
3	69738	WELD., DAMPER SLIDE	1	75.85
4	40292A	6" FLUE COLLAR	1	35.44
5	83343	#10x1/2 HX HD DP OX BLACK	9	2.62
6	83250	1/4-20 KEP NUT (BLACK)	6	2.62
7	83409	1/4-20 X 1/2 HEX BOLT	4	2.60
8	83045A	WASHER, 3/8"ID X 7/8" OD X 1/16 THK	2	2.62
9	83274	3/8-16 LK NUT BLACK	2	2.62
10	83508	5/16-18 X 3/4 BOLT	1	2.62
11	83431	WELD TAB	3	2.62
12	83432	5/16-18 X 1-1/2 HX HD C/S PL	3	2.62
13	83338	5/16-18 LOCK NUT	1	2.62
14	25080	LATCH, DOOR	1	14.22
15	83045	WASHER, 5/16"ID X 3/4" OD X 1/16 THK	3	2.62
16	891137	HANDLE, BRUSHED NICKEL	1	31.59
17	891135	HANDLE, SPRING (LG-NICKEL)	1	31.59
18	891331	SPRING HANDLE - BRUSHED NICKEL	1	6.36
19	40561	ASH PLUG	1	40.45
20	89066	BRICK (9 x 4.5)	1	12.50
21	891414	BRICK, HALF (9 x 2.25)	1	15.85
22	24103	BRICK, HALF (4.5 x 4.5)	1	15.84
23	891783	BRICK (3 x 4.5)	1	17.71
24	88042	1/4" ROPE GASKET	1	2.63
25	83550	PUSHNUT FASTENER (.125 DIA. STUD)	2	2.62
26	83339	1/4-20 x 3/4 HEX BOLT	12	2.62

Key	Parts No.	Description	Qty.	Price
27	69768	WELDMENT, ASH PAN HOUSING	1	236.02
28	69767	ASH PAN WELDMENT	1	261.24
29	40566	LEG, CAST IRON	4	72.28
30	40587	TOP	1	1,067.72
31	69660	ASSY., DOOR_ LARGE RECT.	1	597.61
32	40588	SIDE	2	823.95
33	26335	HEAT SHIELD	1	134.76
34	891841	ASSEMBLY, AFS BLOWER	1	182.02
35	83547	WASHER, 11/32"ID X 11/16" OD X 1/16 THK	14	2.60
36	83417	5/16 ID LOCK WASHER	10	2.60
37	83445	CARRIAGE BOLT	6	2.62
38	83415	NUT, 1/4-20 JAM	6	1.59
39	86693	EXPANDED METAL	1	CALL

Key	Parts No.	Description	Qty.	Price
1	40569	Door, Rectangular-Large	1	572.76
2	40515	Handle	1	27.87
3	83506	3/8 x 1-1/4 Roll Pin	1	2.62
4	88066	5/8" Rope Gasket	5	5.35/ft.
5	891813	Door Glass (40564)	1	320.14
6	88087	Gasket, window, 0.125 x 1 W/PSA	4.5	10.53/ft.
7	25465	Retainer, Bottom Glass	2	5.14
8	83202	10-24 x 3/8" PH PN HD MS	4	2.62
9	83278	7/32" ID x 1/2" OD x 3/64 FL W	4	2.62

Welcome to Breckwell

Breckwell has been a leader in the hearth industry since 1987, raising the standard for dependable performance by which other companies measure. We began manufacturing pellet stoves in 1987, and gas stoves in 1993. Breckwell continues to earn its reputation as the most “bullet-proof” brand of pellet stove. For the latest updates and news about Breckwell, visit us at breckwell.com or call 866-606-8444.

Parts & Accessories Department

Looking for a part or accessory on a product you already have? We encourage you to visit your nearest Breckwell dealer and place an order with them. Don't have a dealer in your area? Our parts department stocks nearly every part you might need to keep your unit working. We have partnered with shipping vendors to ensure that your items get to you safely and timely. Orders can be placed by calling us at **1-866-606-8444**.

To order replacement parts call
1-866-606-8444
Order by fax: 423-837-2129
Breckwell.com or parts@breckwell.com

***BEFORE YOU CALL, PLEASE HAVE THE
FOLLOWING INFORMATION READY:***

*Model of Stove • Serial Number
Part Number (If available) • Purchase Order Number*



***227 Industrial Park Road, South Pittsburg, TN 37380
866-606-8444 • Breckwell.com***